

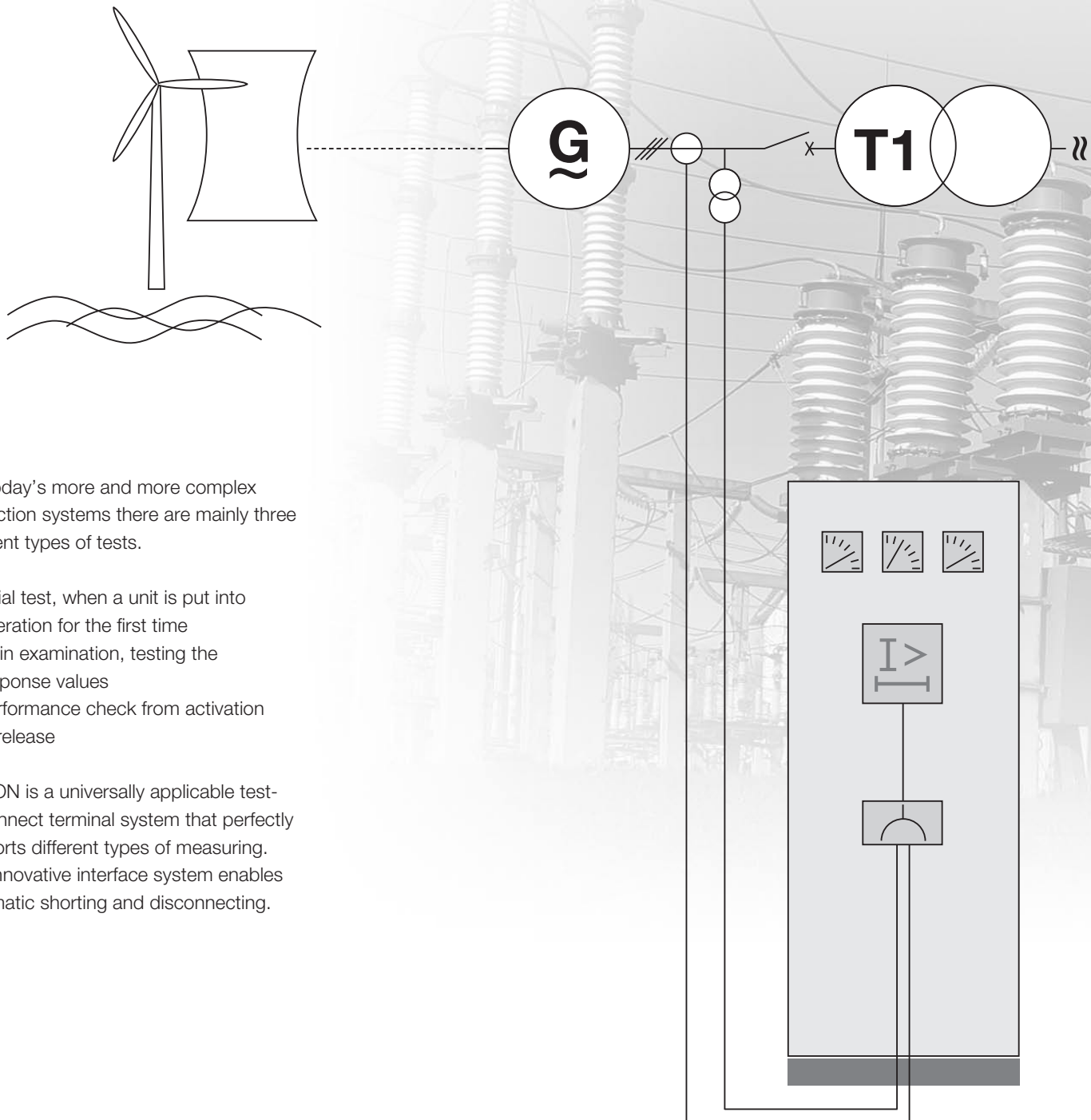


POCON – POWER CONNECTOR

The compact test-disconnect terminal interface system

POCON – the compact test-disconnect terminal interface system

Safe control and testing of safety relays, measuring equipment and metering devices.



For today's more and more complex protection systems there are mainly three different types of tests.

1. Initial test, when a unit is put into operation for the first time
2. Main examination, testing the response values
3. Performance check from activation to release

POCON is a universally applicable test-disconnect terminal system that perfectly supports different types of measuring. The innovative interface system enables automatic shorting and disconnecting.

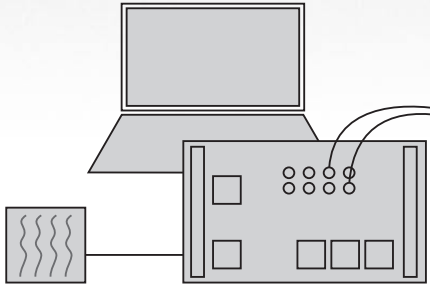
380 kV

T2

T

T

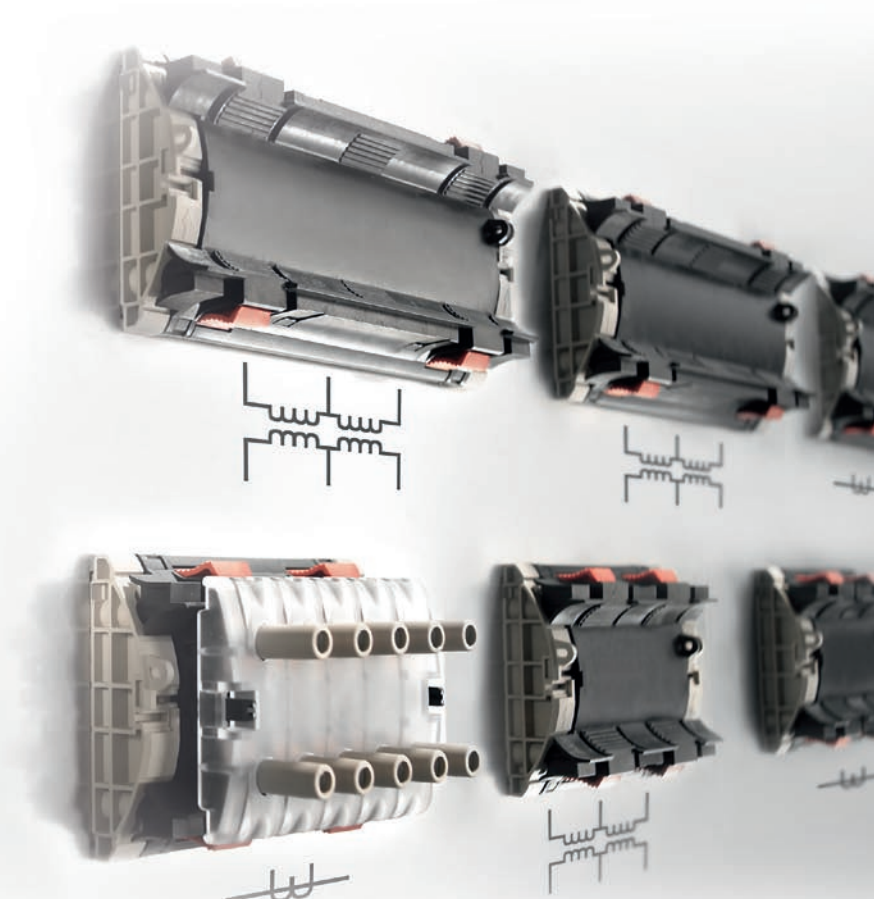
G



From the field for the field

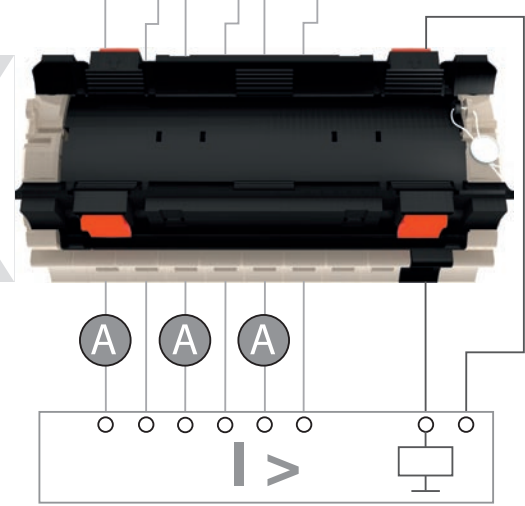
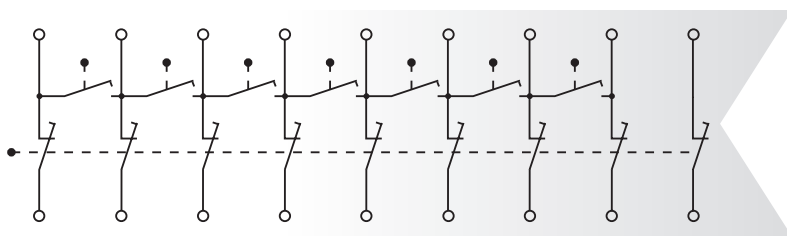
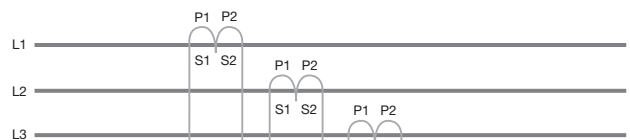
POCON – the interface concept for flexibility and safety

When developing the current and voltage converting terminal POCAN, high attention was given to our customers' practical know-how. Close co-operation ensured that routine details were transferred and taken over in order to guarantee a reliably operating product. This resulted in an innovative module, consisting of only few components, but suitable for a wide range of different applications with modular style.



Standard plug in operative function

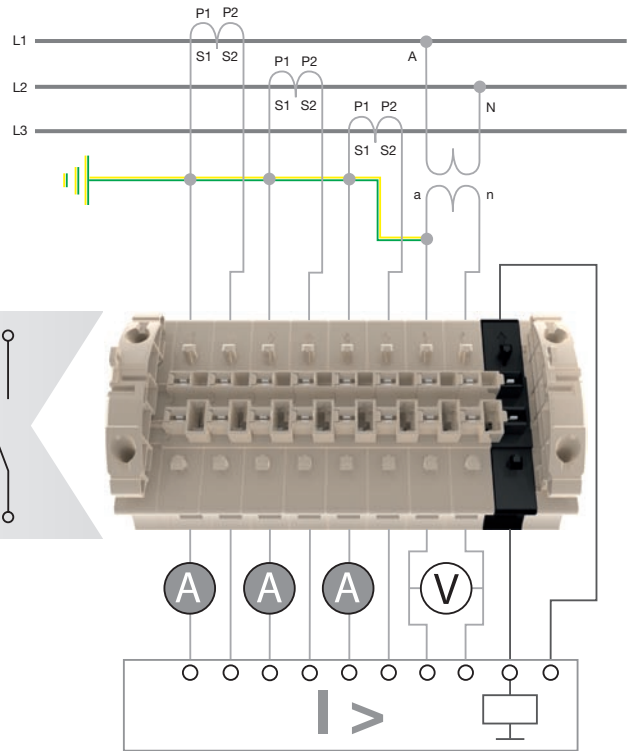
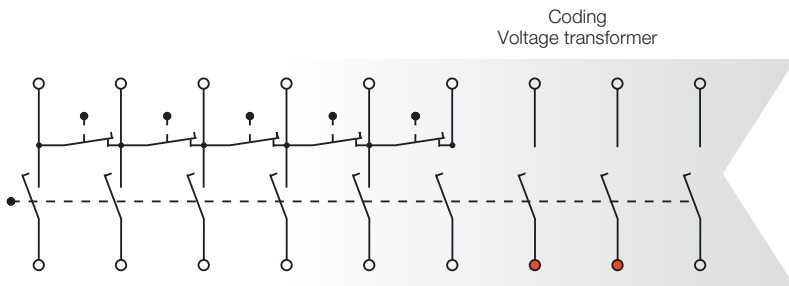
Safety relay and measuring devices are "online", the current and voltage instrument transformer is in operative function.



Example circuit

Short-circuit with lateral disconnection

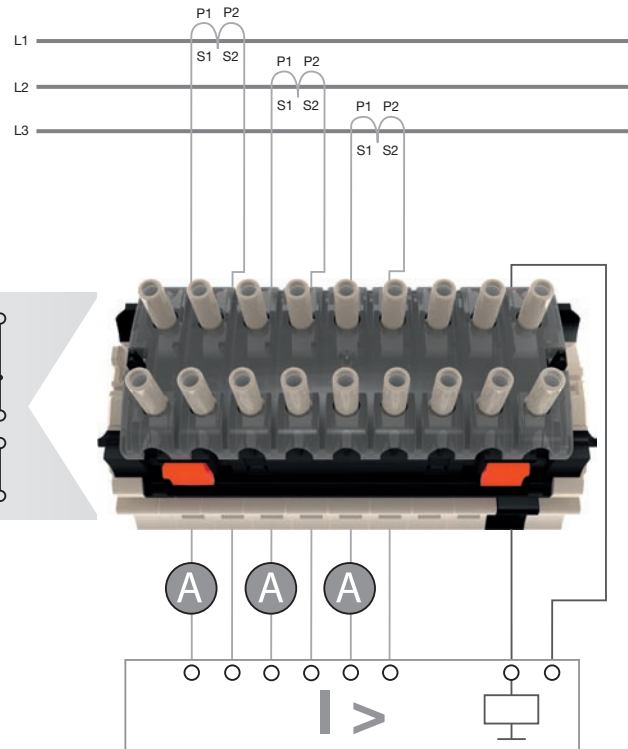
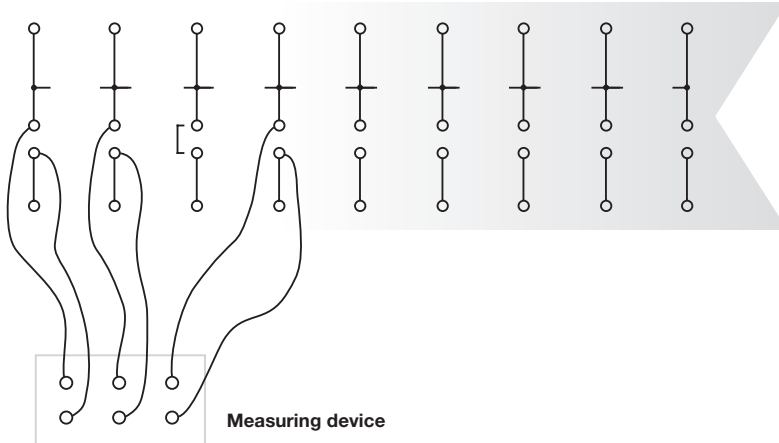
Safety relay and measuring devices are “offline”, the current and voltage instrument transformer is protected. Current transformers are shorted at the input side, voltage transformers are disconnected.



Example circuit

Free configuration options for the test-disconnect terminal

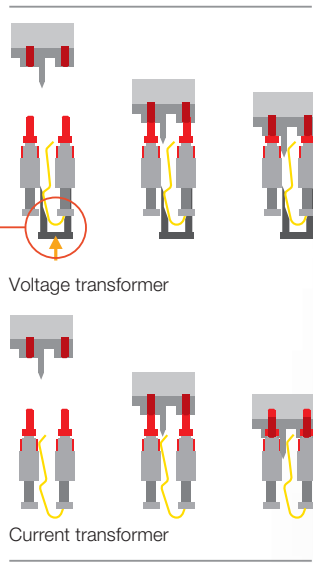
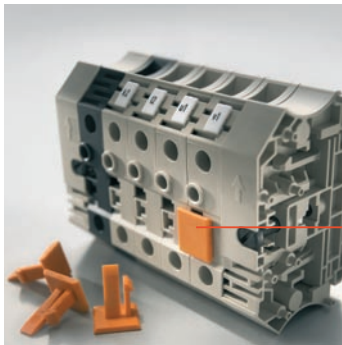
The operator can connect safety relays and measuring devices at his choice. Additionally it is possible to loop reference measurement instruments and transmitters into the current and voltage circuits.



Example circuit

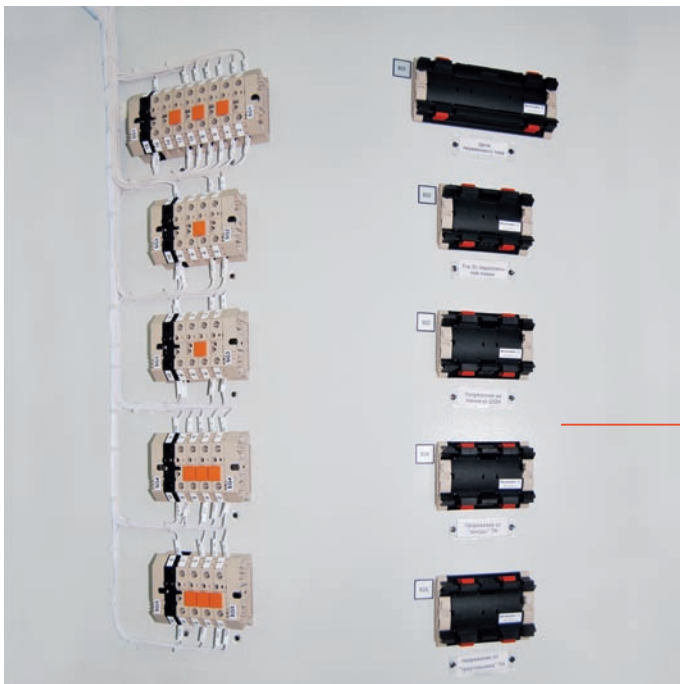
Sophisticated details in compact design

POCON – test-disconnect terminal interface for external operation



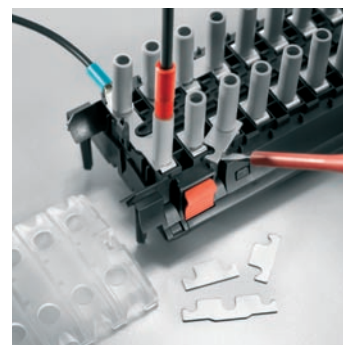
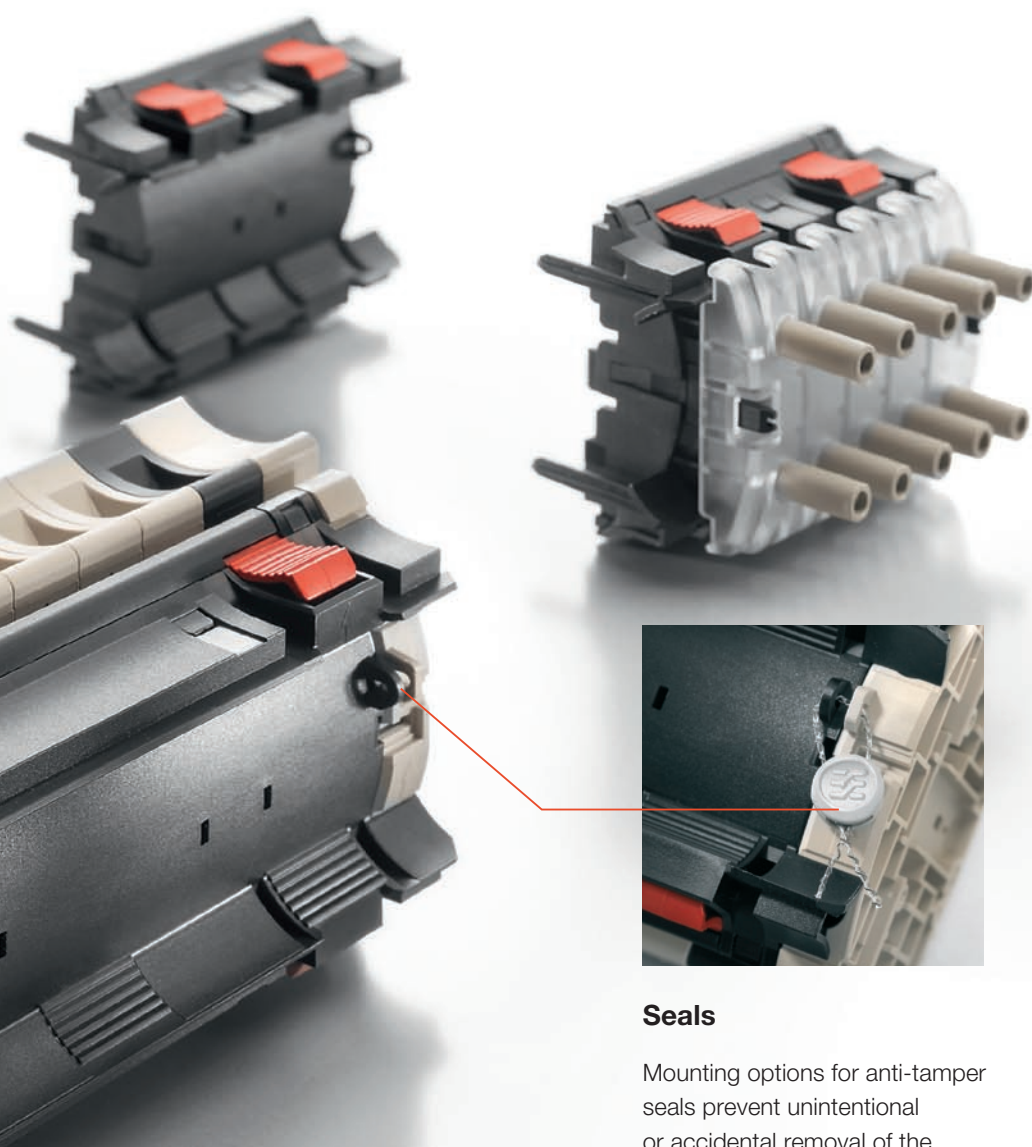
2 in 1

Current and voltage transformer terminal combined in a single product. A coding element on the rear is used to switch between the functions.



Quick installation

The compact design and an intelligent installation technique allow quick and easy installation in any type of control cabinet.



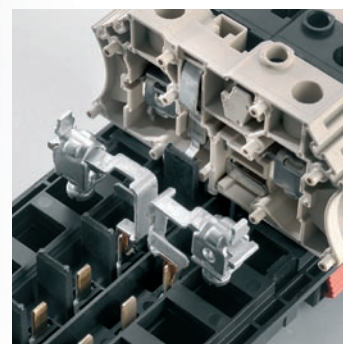
Flexible and easy application

Using cross connections, the test plug offers free configuration options. Additionally it is possible to loop measurement instruments into the transformer current circuit via plug connectors or cable lugs. Thus, test devices can easily, securely and conveniently be connected.



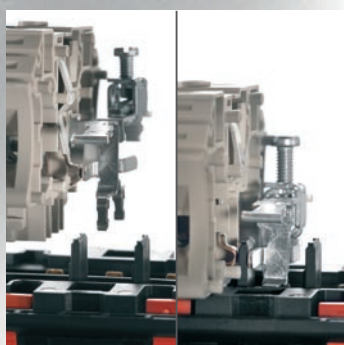
Seals

Mounting options for anti-tamper seals prevent unintentional or accidental removal of the front plug.



Automatic lateral disconnection

When the plug is removed, the PowerConnector POCON automatically effects a lateral disconnection. Thus any connected protective or measurement instruments are safely disconnected from the transformer.



Unplugged

Plugged

Automatic shorting

In current-instrument transformer applications, POCON automatically causes a forced short circuit when there is no connector plugged in.

Please contact the responsible Weidmueller sales representative for further information.

Argentina	Indonesia	Saudi Arabia
Australia	Iran	Serbia
Austria	Ireland	Singapore
Azerbaijan	Israel	Slovakia
Bahrain	Italy	Slovenia
Belarus	Japan	South Africa
Belgium	Jordan	Spain
Bosnia and Herzegovina	Kazakhstan	Sweden
Brazil	Korea	Switzerland
Bulgaria	Kuwait	Taiwan
Canada	Latvia	Thailand
Chile	Lebanon	Tunisia
China	Lithuania	Turkey
Colombia	Luxembourg	Ukraine
Costa Rica	Macedonia	United Arab Emirates
Croatia	Malaysia	United States
Czech Republic	Malta	Uruguay
Denmark	Mexico	Uzbekistan
Ecuador	Moldova	Venezuela
Egypt	Netherlands	Vietnam
Estonia	New Zealand	
Finland	Norway	
France	Oman	
Germany	Pakistan	
Great Britain	Peru	
Greece	Philippines	
Hong Kong	Poland	
Hungary	Portugal	
Iceland	Qatar	
India	Romania	
	Russia	

Weidmüller positions itself worldwide successfully on a sustained basis as the leading provider of solutions for electrical connectivity, transmission and conditioning of power, signal and data in industrial environments.

The company develops, produces and sells products in the field of electrical connectivity and electronics all over the world. Via a global network of application specialists Weidmüller offers engineering services and develops application specific solutions.

The complete product and service portfolio consistently assures both Weidmüller and its customers of competitive advantages and an increase in value.

We cannot guarantee that there are no mistakes in the publications or software provided by us to the customer for the purpose of making orders. We try our best to quickly correct errors in our printed media.

All orders are based on our general terms of delivery, which can be reviewed on the websites of our group companies where you place your order. On demand we can also send the general terms of delivery to you.

Order number:
1163170000/01/2010/SMMW

