

Overview

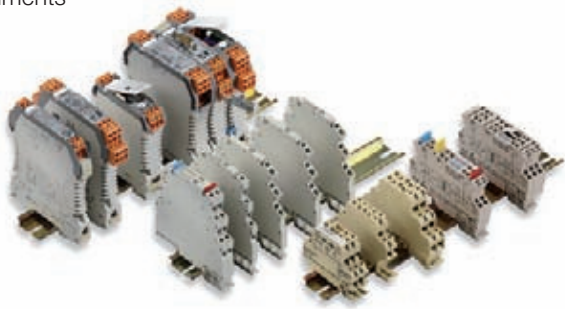
Housings for Electronics

To house your electronics our programme of products includes a wide variety of different designs comprised of open and closed versions for mounting in electrical cabinets, or for installing directly in the field. Modern and innovative Housings for Electronics owe their success to the synergy between design, connection technologies and functionality. In the future, these success factors will form the foundation for the further development and expansion of our portfolio of Housings for Electronics.

The CAD data of the PCBs will be made available for all housings. The connection technologies available are screw clamp, tension clamp and direct insert.

Our offer includes:

- **Component housings** for installation on mounting rails
Solutions that protect the electronics in harsh industrial environments



- **Installation housings** available for direct mounting or installation on mounting rails
Variable profile lengths to house complex electronics



- **IP68 housings for field wiring**

Compact housings for decentralised functions in harsh industrial environments



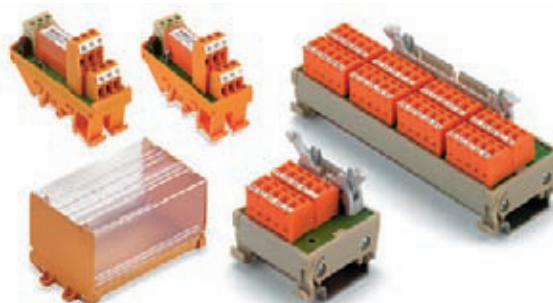
- **Total choice of connection technology**
– Variety that accommodates –

Weidmüller supplies the right connection technology for every application



Component housings

Designed to contain modern electronic pcbs, either miniature housings with fixed terminals, or modular housings with pluggable terminals are offered. Both provide vibration-proof installation on standard mounting rails. Both housings include Weidmüller's marketleading high reliability terminals, and the design facilitates efficient heat dissipation, EMC protection, and the use of operating/adjustment functions. Installation costs and wiring are minimised by integrated crossconnections, and compact construction reduces the panel space needed. Hence, these housings offer reliable protection and connections for electronic products, as well as cost-effective installation.



Installation housings in profile form

The installation housings are assembled from modular components. The length of the profile is variable so that a large PCB area is available. The width of the PCB is determined according to a fixed grid system. The profile offers high-density packaging for housing electronics components and connectors. The housings can be mounted using screws or assembled on mounting rails by utilising the corresponding fixing feet. Suitable hoods are available to protect the electronics.

IP68 housing for wiring in the field

Decentralised systems which do not use large switchgear cabinets are increasingly preferred in industrial automation installations. With compact housings and IP68 protection, Weidmüller offers a modular and versatile concept for use in industrial environments. Electrical terminations is made via industry standard connectors and sockets. The compact housing is an efficient and economic solution, especially when it comes to bus network installations or increasing functionality.



Component housings

WAVEBOX

A WAVEBOX 12.5 housing consists of:

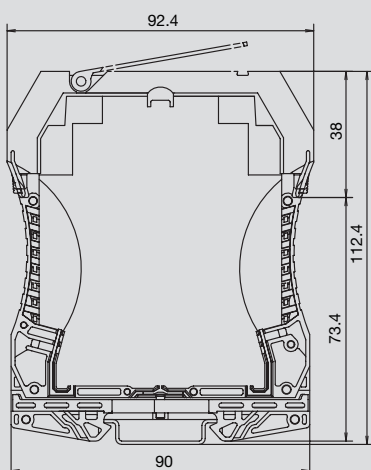
- 1 housing base part with clip-on foot,
- 1 top part,
- 4 male connectors,
- 1-4 female connectors.

Description

The male connectors (one left- and one right-hand version are used depending on the design) are soldered to the PCB and then clipped to the top part. This assembly is inserted into the base part; the integrated anti-twist protection guarantees a correct connection. Connections that are not required can be covered with a cap. The base of the housing is available in cross-connectable (cross-connector ZQV2.5N/2) and non-cross-connectable versions. Both clamping yoke and tension clamp connections are available for the socket connector, which can be coded by means of the coding elements. The hinged transparent top plate of the top part and the housing base part can be labelled with a laser. The top plate also permits easy access for calibration.

CAD drawings that ease the production of layouts and equipping of boards (details of blocked area, max. component heights, pads, etc.) are available on request.

Dimensioned drawing



Technical data

General data	
Dimensions W x L x H (w. TS35 x 7.5)	mm
Dimensions W x L x H (w. TS32)	
No. of connections	total
	left / right / top
Access for calibration	
Shielding	
Contact to the mounting rail	
Max. power loss	
Number of PCB per module	
PCB contacting	
Thickness of PCB	
Ingress protection class	
Tightening torque range	
Stripping length	
Pollution severity	
Flammability class UL 94	
Colour of insulating material	
Clampable conductors (H05V/H07V)	
Solid	mm ²
Flexible	mm ²
Max. conductor AWG	
Plug gauge to 60947-1	
Note	

Ordering data

Individual parts	
Enclosure part with locking foot	cannot be cross-conn. can be cross-connected
Top part with transparent top plate mounted	
Pin block, 3-pole	orange, right orange, left
Pin block, 3-pole	beige, right beige, left
Pin block, 2-pole	orange, right orange, left
Socket block, clamp. yoke conn.	orange, 3-pole black, 3-pole orange, 2-pole black, 2-pole
Socket block, tension clamp conn.	orange, 3-pole black, 3-pole orange, 2-pole black, 2-pole

Information

Accessories

Cross connection 2-pole (pluggable)	
	red
	blue
	yellow
Other accessories	
Coding element	black
Screw cap	
Self-assembly PCB	
Information	

WAVEBOX 12.5



Dimensions W x L x H	12.5 / 92.4 / 112.4
No. of connections	8
	4 / 4
Access for calibration	Movable top plate
Shielding	not available
Contact to the mounting rail	
Max. power loss	2 W / 40°C
Number of PCB per module	1
PCB contacting	soldered connection, directly
Thickness of PCB	1.0 (± 0.1) mm
Ingress protection class	IP 20
Tightening torque range	0.4...0.5 Nm
Stripping length	
Pollution severity	2
Flammability class UL 94	V0
Colour of insulating material	grey
Clamp. yoke connection	
0.2...2.5	0.2...2.5
0.2...2.5	0.2...2.5
AWG 26...AWG 12	AWG 26...AWG 12
A3	
Tension clamp connection	
0.2...2.5	0.2...2.5
AWG 26...AWG 12	AWG 26...AWG 12
A3	

Type	Qty.	Order No.
WAVEBOX L 12.5	18	8426530000
WAVEBOX L 12.5 QV	18	8426540000
TOP UNIT L 12.5	18	8426550000
Pin block, 3-pole (orange, right)		
Pin block, 3-pole (orange, left)		
Pin block, 3-pole (beige, right)		
Pin block, 3-pole (beige, left)		
Pin block, 2-pole (orange, right)	100	8427390000
Pin block, 2-pole (orange, left)	100	8427400000
Socket block, clamp. yoke conn. (orange, 3-pole)		
Socket block, clamp. yoke conn. (black, 3-pole)		
Socket block, clamp. yoke conn. (orange, 2-pole)	100	1526460000
Socket block, clamp. yoke conn. (black, 2-pole)	100	1526410000
Socket block, tension clamp conn. (orange, 3-pole)		
Socket block, tension clamp conn. (black, 3-pole)		
Socket block, tension clamp conn. (orange, 2-pole)	100	1707460000
Socket block, tension clamp conn. (black, 2-pole)	100	1707690000

Type	Qty.	Order No.
ZQV 2.5N/2 RT	60	1717900000
ZQV 2.5N/2 BL	60	1717990000
ZQV 2.5N/2 GE	60	1693800000
BLZ-KO SW	50	1545710000
CAP 2 WAVEBOX 12,5	20	8428130000
Information		
Full housing available as set on request.		

Component housings

WAVEBOX

A WAVEBOX S 22.5 housing consists of:

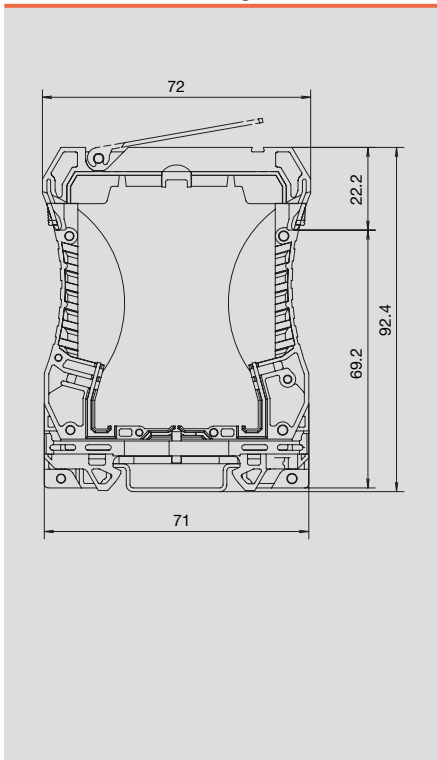
- 1 housing base part with clip-on foot,
- 1 top part,
- 2 male connectors,
- 1-2 female connectors.

Description

The male connectors (one left- and one right-hand version are used depending on the design) are soldered to the PCB and then clipped to the top part. This assembly is inserted into the base part; the integrated anti-twist protection guarantees a correct connection. Connections that are not required can be covered with a cap. The base of the housing is available in cross-connectable and non-cross-connectable versions. Both clamping yoke and tension clamp connections are available for the socket connector, which can be coded. The hinged transparent top plate of the top part and the housing base part can be labeled with a laser. The top plate also permits easy access for calibration.

CAD drawings that ease the production of layouts and equipping of boards (details of blocked area, max. component heights, pads, etc.) are available on request.

Dimensioned drawing



Technical data

General data	
Dimensions W x L x H (w. TS35 x 7.5)	mm
Dimensions W x L x H (w. TS32)	
No. of connections	total
	left / right / top
Access for calibration	
Shielding	
Contact to the mounting rail	
Max. power loss	
Number of PCB per module	
PCB contacting	
Thickness of PCB	
Ingress protection class	
Tightening torque range	
Stripping length	
Pollution severity	
Flammability class UL 94	
Colour of insulating material	
Clampable conductors (H05V/H07V)	
Solid	mm ²
Flexible	mm ²
Max. conductor AWG	
Plug gauge to 60947-1	
Note	

Ordering data

Individual parts	
Enclosure part with locking foot	cannot be cross-conn. can be cross-connected
Top part with transparent top plate mounted	
Pin block, 3-pole	orange, right orange, left
Pin block, 3-pole	beige, right beige, left
Pin block, 2-pole	orange, right orange, left
Socket block, clamp. yoke conn.	orange, 3-pole black, 3-pole orange, 2-pole black, 2-pole
Socket block, tension clamp conn.	orange, 3-pole black, 3-pole orange, 2-pole black, 2-pole
Information	

Accessories

Cross connection 2-pole (pluggable)	
	red
	blue
	yellow
Other accessories	
Coding element	black
Screw cap	
Self-assembly PCB	
Information	

WAVEBOX S 22.5



Dimensions W x L x H	22.5 / 72 / 92.4
No. of connections	6
	3 / 3
Access for calibration	Movable top plate
Shielding	not available
Contact to the mounting rail	
Max. power loss	2 W / 40°C
Number of PCB per module	1
PCB contacting	soldered connection, directly
Thickness of PCB	1.0 (± 0.1) mm
Ingress protection class	IP 20
Tightening torque range	0.4...0.5 Nm
Stripping length	
Pollution severity	2
Flammability class UL 94	V0
Colour of insulating material	grey
Clamp. yoke connection	
0.2...2.5	0.2...2.5
0.2...2.5	0.2...2.5
AWG 26...AWG 12	AWG 26...AWG 12
A3	
Tension clamp connection	
0.2...2.5	0.2...2.5
AWG 26...AWG 12	AWG 26...AWG 12
A3	
Note	

Type	Qty.	Order No.
WAVEBOX S 22.5	10	8426440000
WAVEBOX S 22.5 QV	10	8426450000
TOP UNIT S 22.5	10	8426460000
SL 5.08/3 OR R	100	8426620000
SL 5.08/3 OR L	100	8426630000
BLZ 5.08/3 SN OR	100	1526560000
BLZ 5.08/3 SN SW	100	1526510000
BLZF 5.08/3 SN OR	100	1707470000
BLZF 5.08/3 SN SW	100	1707700000
Information		

Type	Qty.	Order No.
ZQV 2.5N/2 RT	60	1717900000
ZQV 2.5N/2 BL	60	1717990000
ZQV 2.5N/2 GE	60	1693800000
Other accessories		
BLZ-KO SW	50	1545710000
CAP WAVEBOX L22,5/17,5	20	8428120000
WB S PCB SAMPLE	1	4074820000
Full housing available as set on request.		

WAVEBOX

A WAVEBOX L 22.5 housing consists of:

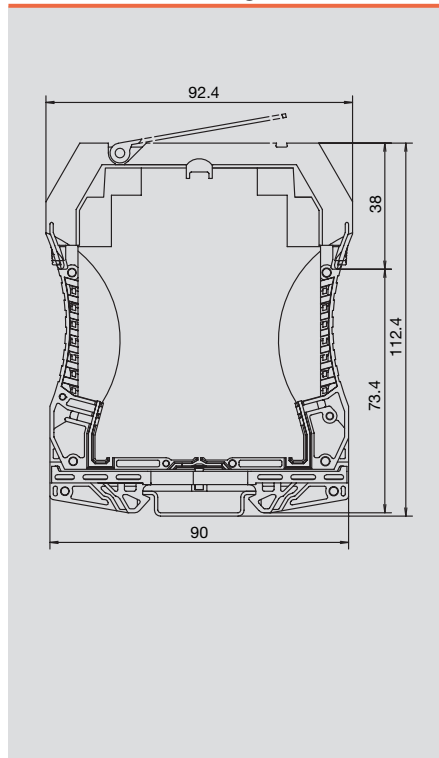
- 1 housing base part with clip-on foot,
- 1 top part,
- 4 male connectors,
- 1-4 female connectors.

Description

The male connectors (one left- and one right-hand version are used depending on the design) are soldered to the PCB and then clipped to the top part. This assembly is inserted into the base part; the integrated anti-twist protection guarantees a correct connection. Connections that are not required can be covered with a cap. The base of the housing is available in cross-connectable and non-cross-connectable versions. Both clamping yoke and tension clamp connections are available for the socket connector, which can be coded. The hinged transparent top plate of the top part and the housing base part can be labelled with a laser. The top plate also permits easy access for calibration.

CAD drawings that ease the production of layouts and equipping of boards (details of blocked area, max. component heights, pads, etc.) are available on request.

Dimensioned drawing



Technical data

General data	
Dimensions W x L x H (w. TS35 x 7.5)	mm
Dimensions W x L x H (w. TS32)	
No. of connections	total
	left / right / top
Access for calibration	
Shielding	
Contact to the mounting rail	
Max. power loss	
Number of PCB per module	
PCB contacting	
Thickness of PCB	
Ingress protection class	
Tightening torque range	
Stripping length	
Pollution severity	
Flammability class UL 94	
Colour of insulating material	
Clampable conductors (H05V/H07V)	
Solid	mm ²
Flexible	mm ²
Max. conductor AWG	
Plug gauge to 60947-1	
Note	

WAVEBOX L 22.5



Dimensions W x L x H	22.5 / 92.4 / 112.4	
No. of connections	12	
	6 / 6	
Access for calibration	Movable top plate	
Shielding	not available	
Contact to the mounting rail		
Max. power loss	2 W /40°C	
Number of PCB per module	1	
PCB contacting	soldered connection, directly	
Thickness of PCB	1.0 (± 0.1) mm	
Ingress protection class	IP 20	
Tightening torque range	0.4...0.5 Nm	
Stripping length		
Pollution severity	2	
Flammability class UL 94	V0	
Colour of insulating material	grey	
Clamp. yoke connection		Tension clamp connection
0.2...2.5		0.2...2.5
0.2...2.5		0.2...2.5
AWG 26...AWG 12		AWG 26...AWG 12
A3		
Note		

Ordering data

Individual parts	
Enclosure part with locking foot	cannot be cross-conn. can be cross-connected
Top part with transparent top plate mounted	
Pin block, 3-pole	orange, right orange, left
Pin block, 3-pole	beige, right beige, left
Pin block, 2-pole	orange, right orange, left
Socket block, clamp. yoke conn.	orange, 3-pole black, 3-pole orange, 2-pole black, 2-pole
Socket block, tension clamp conn.	orange, 3-pole black, 3-pole orange, 2-pole black, 2-pole
Information	

Type	Qty.	Order No.
WAVEBOX L 22.5	10	8426470000
WAVEBOX L 22.5 QV	10	8426480000
TOP UNIT L 22.5	10	8426490000
SL 5.08/3 OR R	100	8426620000
SL 5.08/3 OR L	100	8426630000
BLZ 5.08/3 SN OR	100	1526560000
BLZ 5.08/3 SN SW	100	1526510000
BLZF 5.08/3 SN OR	100	1707470000
BLZF 5.08/3 SN SW	100	1707700000
Information		

Accessories

Cross connection 2-pole (pluggable)	
	red
	blue
	yellow
Other accessories	
Coding element	black
Screw cap	
Self-assembly PCB	
Information	

Type	Qty.	Order No.
ZQV 2.5N/2 RT	60	1717900000
ZQV 2.5N/2 BL	60	1717990000
ZQV 2.5N/2 GE	60	1693800000
BLZ-KO SW	50	1545710000
CAP WAVEBOX L22,5/17,5	20	8428120000
WB L PCB SAMPLE	1	4074640000
Full housing available as set on request.		

Component housings

WAVEBOX

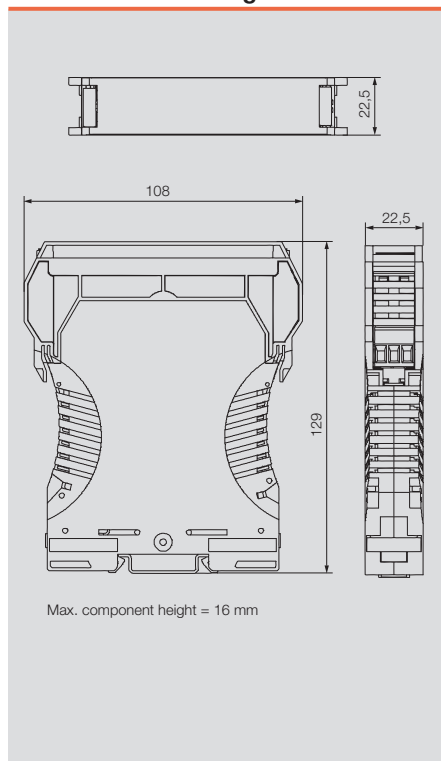
A WBL 22.5 FH housing consists of:

- 1 housing base part with clip-on foot,
- 1 top part,
- 2 male connectors,
- 1-2 female connectors.

Description

There is a new addition to the WAVEBOX family of built-in housings: this model is 22.5 mm wide, has a new upper part and can accommodate a great many sockets and plugs in the head area. In both available versions, the head can be opened only by using a tool. Scope for cross-connections is also available for power supply purposes. Considerably larger PCBs (with an area > 8000 mm²), onto which components can be fitted on both sides, can now be used with both sizes of housing. WAVEBOX's special design greatly extends the range of possible applications.

Dimensioned drawing



Technical data

General data			
Dimensions W x L x H (w. TS35 x 7.5)	mm	22.5 / 108 / 129	
Dimensions W x L x H (w. TS32)			
No. of connections	total	12	
	left / right / top	6 / 6	
Access for calibration		detachable top plate	
Shielding		not available	
Contact to the mounting rail		4 W / 40°C (Horizontal mounting on terminal rail)	
Max. power loss		1	
Number of PCB per module		soldered connection, directly	
PCB contacting		1.0 (± 0.2) mm	
Thickness of PCB		IP 20	
Ingress protection class		0.4...0.5 Nm	
Tightening torque range		2	
Stripping length		V0	
Pollution severity		grey	
Flammability class UL 94		Clamp. yoke connection Tension clamp connection	
Colour of insulating material		0.2...2.5	0.2...2.5
Clampable conductors (H05V/H07V)		0.2...2.5	0.2...2.5
Solid	mm ²	AWG 26...AWG 12	AWG 26...AWG 12
Flexible	mm ²	A3	
Max. conductor AWG			
Plug gauge to 60947-1			
Note			

Ordering data

Individual parts		Type	Qty.	Order No.
Enclosure part with locking foot	cannot be cross-conn.	WAVEBOX L 22.5	10	8426470000
	can be cross-connected	WAVEBOX L 22.5 QV	10	8426480000
Top part with transparent top plate mounted				
Pin block, 3-pole	orange, right	WBL 22.5 TU GY	10	1964640000
	orange, left	SL 5.08/3 OR R	100	8426620000
Pin block, 3-pole	beige, right	SL 5.08/3 OR L	100	8426630000
	beige, left			
Pin block, 2-pole	orange, right			
	orange, left			
Socket block, clamp. yoke conn.	orange, 3-pole	BLZ 5.08/3 SN OR	100	1526560000
	black, 3-pole	BLZ 5.08/3 SN SW	100	1526510000
	orange, 2-pole			
	black, 2-pole			
Socket block, tension clamp conn.	orange, 3-pole	BLZF 5.08/3 SN OR	100	1707470000
	black, 3-pole	BLZF 5.08/3 SN SW	100	1707700000
	orange, 2-pole			
	black, 2-pole			
Information				

Accessories

Cross connection 2-pole (pluggable)		Type	Qty.	Order No.
	red	ZQV 2.5N/2 RT	60	1717900000
	blue	ZQV 2.5N/2 BL	60	1717990000
	yellow	ZQV 2.5N/2 GE	60	1693800000
Other accessories				
Coding element	black	BLZ-KO SW	50	1545710000
Screw cap		CAP WAVEBOX L22,5/17,5	20	8428120000
Self-assembly PCB				
Information				
Full housing available as set on request.				

WBL 22.5 FH



WAVEBOX

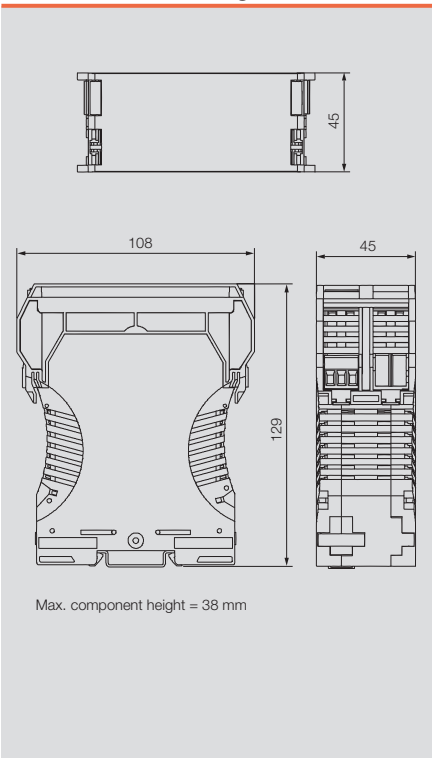
A WBL 45 FH housing consists of:

- 1 housing base part with clip-on foot,
- 1 top part,
- 4 male connectors,
- 1-4 female connectors.

Description

There is a new addition to the WAVEBOX family of built-in housings: this model is 45 mm wide, has a new upper part and can accommodate a great many sockets and plugs in the head area. Two PCBs can be accommodated in this new model. In both available versions, the head can be opened only by using a tool. Scope for cross-connections is also available for power supply purposes. Considerably larger PCBs (with an area > 8000 mm²), onto which components can be fitted on both sides, can now be used with both sizes of housing. WAVEBOX's special design greatly extends the range of possible applications.

Dimensioned drawing



Technical data

General data	
Dimensions W x L x H (w. TS35 x 7.5)	mm
Dimensions W x L x H (w. TS32)	
No. of connections	total
	left / right / top
Access for calibration	
Shielding	
Contact to the mounting rail	
Max. power loss	
Number of PCB per module	
PCB contacting	
Thickness of PCB	
Ingress protection class	
Tightening torque range	
Stripping length	
Pollution severity	
Flammability class UL 94	
Colour of insulating material	
Clampable conductors (H05V/H07V)	
Solid	mm ²
Flexible	mm ²
Max. conductor AWG	
Plug gauge to 60947-1	
Note	

Ordering data

Individual parts	
Enclosure part with locking foot	cannot be cross-conn. can be cross-connected
Top part with transparent top plate mounted	
Pin block, 3-pole	orange, right orange, left
Pin block, 3-pole	beige, right beige, left
Pin block, 2-pole	orange, right orange, left
Socket block, clamp. yoke conn.	orange, 3-pole black, 3-pole orange, 2-pole black, 2-pole
Socket block, tension clamp conn.	orange, 3-pole black, 3-pole orange, 2-pole black, 2-pole
Information	

Accessories

Cross connection 2-pole (pluggable)	
	red
	blue
	yellow
Other accessories	
Coding element	black
Screw cap	
Self-assembly PCB	
Information	

WBL 45 FH



Dimensions W x L x H	45 / 108 / 129
No. of connections	12
	6 / 6
Access for calibration	detachable top plate
Shielding	not available
Contact to the mounting rail	
Max. power loss	7 W /40°C (Horizontal mounting on terminal rail)
Number of PCB per module	1
PCB contacting	soldered connection, directly
Thickness of PCB	1.0 (± 0.2) mm
Ingress protection class	IP 20
Tightening torque range	0.4...0.5 Nm
Stripping length	
Pollution severity	2
Flammability class UL 94	V0
Colour of insulating material	grey
Clamp. yoke connection	
0.2...2.5	0.2...2.5
0.2...2.5	0.2...2.5
AWG 26...AWG 12	AWG 26...AWG 12
A3	
Tension clamp connection	
0.2...2.5	0.2...2.5
AWG 26...AWG 12	AWG 26...AWG 12
A3	
Note	

Type	Qty.	Order No.
WBL 45 BU QV GY	10	1964650000
WBL 45 TU GY	10	1964660000
SL 5.08/3 OR R	100	8426620000
SL 5.08/3 OR L	100	8426630000
BLZ 5.08/3 SN OR	100	1526560000
BLZ 5.08/3 SN SW	100	1526510000
BLZF 5.08/3 SN OR	100	1707470000
BLZF 5.08/3 SN SW	100	1707700000

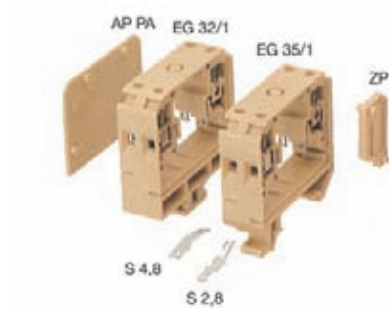
Type	Qty.	Order No.
ZQV 2.5N/2 RT	60	1717900000
ZQV 2.5N/2 BL	60	1717990000
ZQV 2.5N/2 GE	60	1693800000
BLZ-KO SW	50	1545710000
CAP WAVEBOX L22,5/17,5	20	8428120000
Full housing available as set on request.		

EG

An EG1 housing kit consists of:

- 1 housing frame with clamping yoke units and foot,
 - 2 end plates.
- Push-on solder lugs are available if required.

EG 1



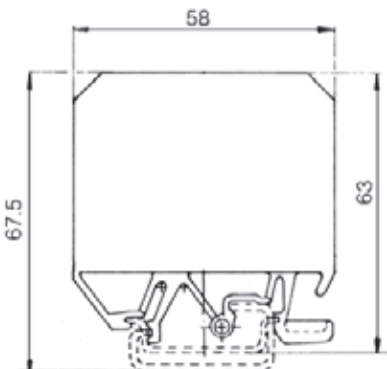
Larger housings are easily assembled: the intermediate plate (ZP) allows 2 or more housings to be joined together mechanically. The ZP joins together the housing frames in the area of the clamping yoke unit.

Technical data

General data		
Dimensions W x L x H (w. TS35 x 7.5)	mm	18 / 58 / 63
Dimensions W x L x H (w. TS32)		18 / 58 / 67.5
No. of connections	total	4
	left / right / top	2 / 2
Access for calibration		
Shielding		not available
Contact to the mounting rail		
Max. power loss		1 W
Number of PCB per module		1
PCB-connection		soldered connection, via wire
Thickness of PCB		1.0 (+ 0.2) mm
Ingress protection class		IP 20
Tightening torque range		0.5...1.0 Nm
Stripping length		
Pollution severity		2
Flammability class UL 94		V2
Colour of insulating material		beige
Clampable conductors (H05V/H07V)		Clamp. yoke connection
Solid	mm ²	0.5...4
Flexible	mm ²	0.5...2.5
Max. conductor AWG		AWG 20...AWG 12
Plug gauge to 60947-1		
Information		

Ordering data

Individual parts	Type	Qty.	Order No.
Housing frame	without foot		
	w. foot for TS35	25	0453860000
	w. foot for TS32	25	0453560000
Locking combination foot			
Mounting plate for direct mounting			
End plate			
Clamp. yoke unit	right	20	0453660000
	left		
Intermediate plate	ZP EG 32/EG 35	50	0453760000
Connection spigot	VBZA F.EG	50	0510260000
Flat connector lug	0.8 x 6.3mm		
	2 x 0.8 x 6.3mm		
	0.8 x 2.8mm	50	0475800000
	0.8 x 4.8mm	50	0475700000
Information			



Accessories

Type	Qty.	Order No.

Component housings

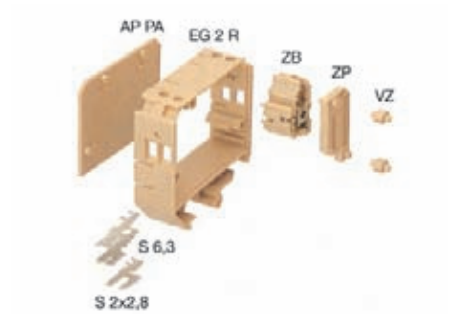
EG

An EG2 housing kit consists of:

- 1 housing frame with combination foot,
- 1-2 clamping yoke units,
- 2 end plates.

Push-on solder lugs are available if required.

EG 2



Larger housings are easily assembled: the intermediate plate (ZP) allows 2 or more housings to be joined together mechanically. The ZP joins together the housing frames in the area of the clamping yoke unit. If the clamping yoke unit is not fitted, the connecting pin (VZ) can be used as an alternative.

Technical data

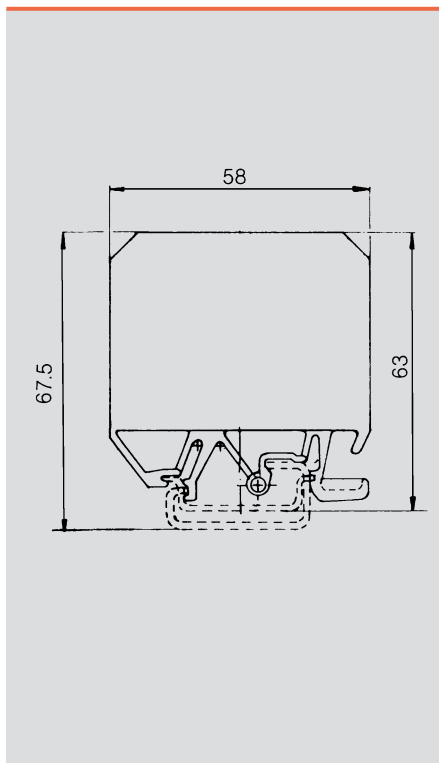
General data		
Dimensions W x L x H (w. TS35 x 7.5)	mm	20 / 58 / 63
Dimensions W x L x H (w. TS32)		20 / 58 / 67.5
No. of connections	total	4
	left / right / top	2 / 2
Access for calibration		
Shielding		not available
Contact to the mounting rail		
Max. power loss		1 W
Number of PCB per module		1
PCB-connection		soldered connection, directly
Thickness of PCB		1.0 (+ 0.2) mm
Ingress protection class		IP 20
Tightening torque range		0.4...0.8 Nm
Stripping length		
Pollution severity		2
Flammability class UL 94		V2
Colour of insulating material		beige
Clampable conductors (H05V/H07V)		Clamp. yoke connection
Solid	mm ²	0.5...4
Flexible	mm ²	0.5...2.5
Max. conductor AWG		AWG 20...AWG 12
Plug gauge to 60947-1		
Information		

Ordering data

Individual parts		Type	Qty.	Order No.
Housing frame	without foot	GH EG2/EN A.1 O.BOHR.	25	0508860000
	w. foot for TS35	GH EG2/EN A.1 O.BOHR.	25	0508860000
	w. foot for TS32			
Locking combination foot				
Mounting plate for direct mounting				
End plate				
Clamp. yoke unit	right	AP EG32/EG35	20	0453660000
	left	ZBE EG/2 AUSF.RECHTS	20	0495960000
		ZBE EG/2 AUSF.LINKS	20	0495860000
Intermediate plate		ZP EG 32/EG 35	50	0453760000
Connection spigot		VBZA F.EG	50	0510260000
Flat connector lug	0.8 x 6.3mm	STFA 2.8/2 EG2	100	0496100000
	2 x 0.8 x 6.3mm	STFA EG3	50	0163500000
	0.8 x 2.8mm			
	0.8 x 4.8mm			
Information				

Accessories

Type	Qty.	Order No.



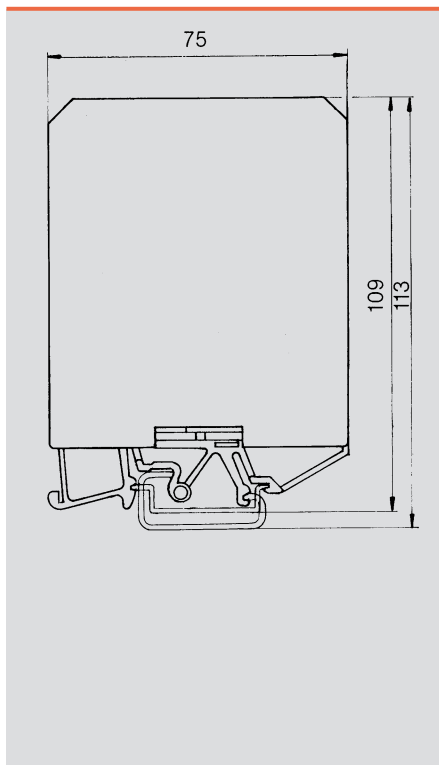
Component housings

EG

An EG4 housing kit consists of:

- 1 housing frame,
- 1 combination foot or 1 mounting plate,
- 1-2 clamping yoke units,
- 2 end plates.

Larger housings are easily assembled: the intermediate plate (ZP) and the connecting pin (VZ) enable 2 or more housings to be mechanically joined together. The ZP joins together the housing frames in the area of the clamping yoke unit and the VZ at the bottom of the frame. The snap-on combination foot or the mounting plate enables the housing to be mounted on the rail or directly.



Technical data

General data	
Dimensions W x L x H (w. TS35 x 7.5)	mm
Dimensions W x L x H (w. TS32)	mm
No. of connections	total
	left / right / top
Access for calibration	
Shielding	
Contact to the mounting rail	
Max. power loss	
Number of PCB per module	
PCB-connection	
Thickness of PCB	
Ingress protection class	
Tightening torque range	
Stripping length	
Pollution severity	
Flammability class UL 94	
Colour of insulating material	
Clampable conductors (H05V/H07V)	
Solid	mm ²
Flexible	mm ²
Max. conductor AWG	
Plug gauge to 60947-1	

Information

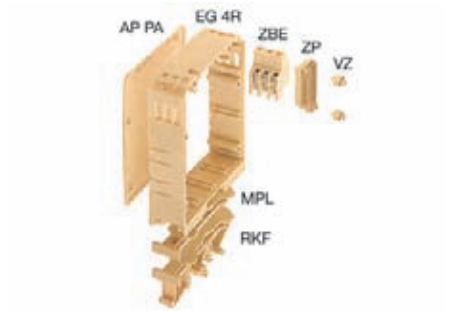
Ordering data

Individual parts	
Housing frame	without foot w. foot for TS35 w. foot for TS32
Locking combination foot	
Mounting plate for direct mounting	
End plate	
Clamp. yoke unit	right left
Intermediate plate	
Connection spigot	
Flat connector lug	0.8 x 6.3mm 2 x 0.8 x 6.3mm 0.8 x 2.8mm 0.8 x 4.8mm

Information

Accessories

EG 4



Dimensions W x L x H (w. TS35 x 7.5)	mm	22.5 / 75 / 109
Dimensions W x L x H (w. TS32)	mm	22.5 / 75 / 113
No. of connections	total	6
	left / right / top	3 / 3
Access for calibration		
Shielding		not available
Contact to the mounting rail		
Max. power loss		1.6 W
Number of PCB per module		1
PCB-connection		soldered connection, via wire
Thickness of PCB		1.0 (+ 0.2) mm
Ingress protection class		IP 20
Tightening torque range		0.4...0.8 Nm
Stripping length		
Pollution severity		2
Flammability class UL 94		V2
Colour of insulating material		beige
Clamp. yoke connection		
Solid	mm ²	0.5...4
Flexible	mm ²	0.5...2.5
Max. conductor AWG		AWG 22...AWG 12

Type	Qty.	Order No.
GH EG4 A.1 O.BOHR.	20	1116560000
WECHSELFUSS F.EG 4+5	20	1116260000
MONTAGEPLATTE F.EG 4+5	50	1116360000
AP EG4	20	1116060000
ZBE EG 3	50	0138360000
ZBE EG 3	50	0138360000
ZP EG 32/EG 35	50	0453760000
VBZA F.EG	50	0510260000

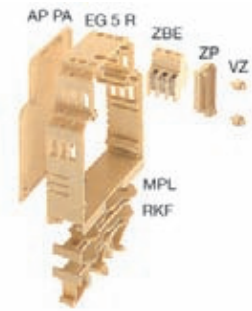
Type	Qty.	Order No.
------	------	-----------

EG

An EG5 housing consists of:

- 1 housing frame,
- 1 combination foot or 1 mounting plate,
- 1-4 clamping yoke units,
- 2 end plates.

EG 5



Larger housings are easily assembled: the intermediate plate (ZP) and the connecting pin (VZ) enable 2 or more housings to be mechanically joined together. The ZP joins together the housing frames in the area of the clamping yoke unit and the VZ at the bottom of the frame. The snap-on combination foot or the mounting plate enables the housing to be mounted on the rail or directly.

Technical data

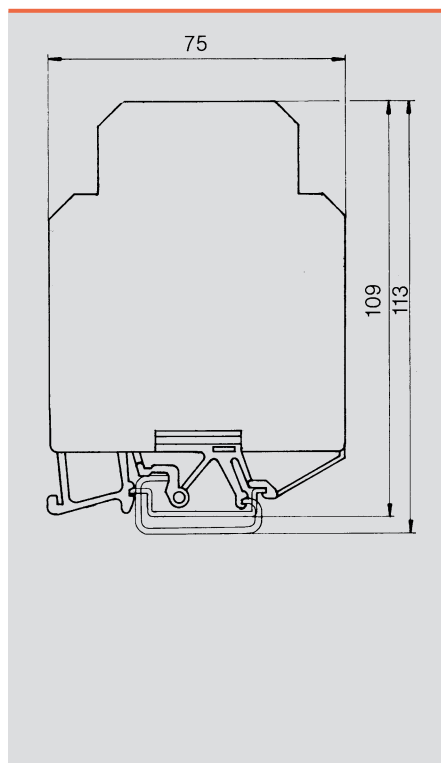
General data		
Dimensions W x L x H (w. TS35 x 7.5)	mm	22.5 / 75 / 109
Dimensions W x L x H (w. TS32)		22.5 / 75 / 113
No. of connections	total	12
	left / right / top	6 / 6
Access for calibration		
Shielding		not available
Contact to the mounting rail		
Max. power loss		1.6 W
Number of PCB per module		1
PCB-connection		soldered connection, via wire
Thickness of PCB		1.0 (+ 0.2) mm
Ingress protection class		IP 20
Tightening torque range		0.4...0.8 Nm
Stripping length		
Pollution severity		2
Flammability class UL 94		V2
Colour of insulating material		beige
Clampable conductors (H05V/H07V)		Clamp. yoke connection
Solid	mm ²	0.5...4
Flexible	mm ²	0.5...2.5
Max. conductor AWG		AWG 22...AWG 12
Plug gauge to 60947-1		
Information		

Ordering data

Individual parts		Type	Qty.	Order No.
Housing frame	without foot w. foot for TS35 w. foot for TS32	GH EG5 A.1 O.BOHR.	20	1116860000
Locking combination foot		WECHSELFUSS F.EG 4+5	20	1116260000
Mounting plate for direct mounting		MONTAGEPLATTE F.EG 4+5	50	1116360000
End plate		AP EG5	20	1116160000
Clamp. yoke unit	right left	ZBE EG 3	50	0138360000
		ZBE EG 3	50	0138360000
Intermediate plate		ZP EG 32/EG 35	50	0453760000
Connection spigot		VBZA F.EG	50	0510260000
Flat connector lug	0.8 x 6.3mm 2 x 0.8 x 6.3mm 0.8 x 2.8mm 0.8 x 4.8mm			
Information				

Accessories

Type	Qty.	Order No.



Installation housings in profile form

RS 45

Chassis plus 4 screws available in two versions:

Rail-mounted version

- 2 end plates for rail mounting,
- 1 extruded profile,

Direct-mount version

- 2 end plates for direct mounting,
- 1 extruded profile,

Description

3 heights are available for cover profile and end plates:

TS-mounting:

TS32 = 45 mm, TS35x7.5 = 40.5 mm

Direct mounting: 24 mm

Dimensions of PCB

Thickness: 1.6 (±0.2) mm, width: 42 (+0.5) mm

Size of RS segment = PCB length - 4.5 mm

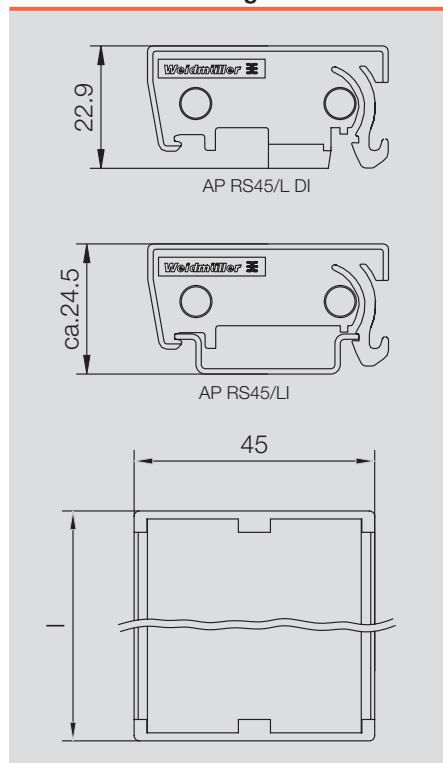
Size of ADP segment = PCB length - 1 mm

Example:

PCB length 160 mm,

RS = 155.5 mm, ADP = 159 mm

Dimensioned drawing



RS 45



Technical data

General data

Shielding
 Contact to the mounting rail
 Max. power loss
 Number of PCB per module
 Thickness of PCB
 Ingress protection class
 Flammability class UL 94
 Colour of insulating material

1
1.6 (± 0.2) mm
V2
beige

Note

Ordering data

Extruded profile

2000mm	orange
2000mm	grey
1000mm	grey
155mm	orange

Intermediate piece

5mm
15mm
25mm
30mm
45mm

End plate w. locking foot

Without cover	grey, left version
	grey, right-hand version

Locking foot

	orange
	grey
With marking facilities	left version
	right version
Without marking facilities	left version
	right version
Central	intermediate foot

End plate for direct mounting

Without cover	grey, left version
	grey, right-hand version
	orange
	grey
For medium-high cover profile	orange
	grey
For high cover profile	orange
	grey

End plate for mounting rail installation

Without cover	orange
	grey
For medium-high cover profile	orange
	grey
For high cover profile	orange
	grey

Cover profile	medium-high
	high

Screws	
--------	--

Note

Type	Qty.	Order No.
PF RS 45 GR 2000	1	4027750000
PF RS 45 GR 1000	10	8140880000

AP 45/LI	20	8143910000
AP 45/RE	20	8143900000

AP 45/LI DI	20	8140870000
AP 45/RE DI	20	8140860000

ADP 1/HP1 1M	64	0485200000
--------------	----	------------

LKSC M2,9x13VZ	100	4011200000
----------------	-----	------------

Other lengths on request.

RS 70

Chassis Form:

Rail-mounted version

- 1 clip-on foot left,
- 1 clip-on foot right,
- 1 or more intermediate pieces,
- 1 clip-on foot centre if required.

Description

Height: TS32 = 33.5 mm, TS35x7.5 = 29 mm

Dimensions of PCB:

Thickness: 1.6 (± 0.2) mm

Length: 67.8 (- 0.2) mm

Width of intermediate piece = PCB width - 2x9mm (snap-on feet)

Example:

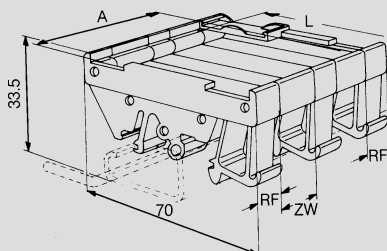
PCB width = 68 mm

Width of intermediate piece = 50 mm

Intermediate piece 2x ZW 25 RS or

ZW 45 RS + ZW 5 RS

Dimensioned drawing



Technical data

General data

Shielding
 Contact to the mounting rail
 Max. power loss
 Number of PCB per module
 Thickness of PCB
 Ingress protection class
 Flammability class UL 94
 Colour of insulating material

RS 70



Note

Ordering data

Extruded profile

2000mm orange
 2000mm grey
 1000mm grey
 155mm orange

Intermediate piece

5mm
 15mm
 25mm
 30mm
 45mm

End plate w. locking foot

Without cover grey, left version
 grey, right-hand version

Locking foot

orange
 grey
 With marking facilities left version
 right version
 Without marking facilities left version
 right version
 Central intermediate foot

End plate for direct mounting

Without cover grey, left version
 grey, right-hand version
 orange
 grey
 For medium-high cover profile orange
 grey
 For high cover profile orange
 grey

End plate for mounting rail installation

Without cover orange
 grey
 For medium-high cover profile orange
 grey
 For high cover profile orange
 grey

Cover profile medium-high
 high

Screws

Note

Type	Qty.	Order No.
ZW 5 RS OR	20	0119760000
ZW 15 RS OR	20	0119860000
ZW 25 RS OR	20	0126160000
ZW 30 RS OR	20	0119960000
ZW 45 RS OR	20	0120060000
RF RS 70 RE/A3/M.BEZ	20	0119560000
RF RS 70 LI/A2/O.SG	20	0119660000
RF RS 70 RE/A4/O.BEZ	20	0126260000
RF RS 70 MI/A6	20	0213760000

Installation housings in profile form

RS 80

Chassis plus 4 screws available in two versions:

Rail-mounted version

- 2 end plates for rail mounting,
- 2 or more clip-on feet,
- 1 extruded profile,
- 1 cover profile (if required).

Direct-mount version

- 2 end plates for direct mounting,
- 1 extruded profile,
- 1 cover profile (if required).

Description

3 heights are available for cover profile and end plates:

Rail mounting without cover:

TS32 = 45 mm, TS35x7.5 = 40.5 mm

Rail mounting with low cover:

TS32 = 72 mm, TS35x7.5 = 67.5 mm

Rail mounting with high cover:

TS32 = 91 mm, TS35x7.5 = 86.5 mm

Direct mounting without/low/high cover:

17 / 44 / 63 mm

Dimensions of PCB

Thickness: 1.6 (±0.2) mm, width: 67.8 (+0.2) mm

Size of RS segment = PCB length - 4.5 mm

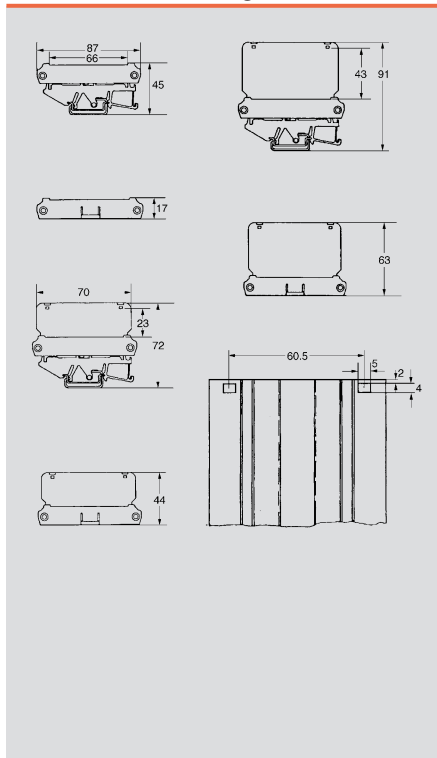
Size of ADP segment = PCB length - 2 mm

Example:

PCB length 160 mm

RS = 155.5 mm, ADP = 158 mm

Dimensioned drawing



RS 80



Technical data

General data	
Shielding	
Contact to the mounting rail	
Max. power loss	
Number of PCB per module	1
Thickness of PCB	1.6 (± 0.2) mm
Ingress protection class	
Flammability class UL 94	V2
Colour of insulating material	orange
Note	

Ordering data

Extruded profile		Type	Qty.	Order No.
2000mm	orange	PF RS 80 OR 2000MM	1	4157440000
2000mm	grey	PF RS 80 GR 2000MM	1	4183130000
1000mm	grey			
155mm	orange			
Intermediate piece				
5mm				
15mm				
25mm				
30mm				
45mm				
End plate w. locking foot				
Without cover	grey, left version	AP RF80 LI	20	8156210000
	grey, right-hand version	AP RF80 RE	20	8156200000
Locking foot				
	orange	RF 180	20	1324460000
	grey	RF 180 GR	20	1773400000
With marking facilities	left version			
	right version			
Without marking facilities	left version			
	right version			
Central	intermediate foot			
End plate for direct mounting				
Without cover	grey, left version			
	grey, right-hand version			
	orange	AP 80 D	20	1324360000
	grey			
For medium-high cover profile	orange	AP 85 D	20	1411060000
	grey			
For high cover profile	orange	AP 86 D	20	1411160000
	grey			
End plate for mounting rail installation				
Without cover	orange	AP 80	20	1324260000
	grey	AP 80	20	8320300000
For medium-high cover profile	orange	AP 85	20	1410860000
	grey			
For high cover profile	orange	AP 86	20	1410960000
	grey			
Cover profile				
	medium-high	ADP 5	1	4167150000
	high	ADP 6	1	4167160000
Screws				
		LKSC M2,9x13VZ	100	4011200000
Note		Other lengths on request.		

RS 90

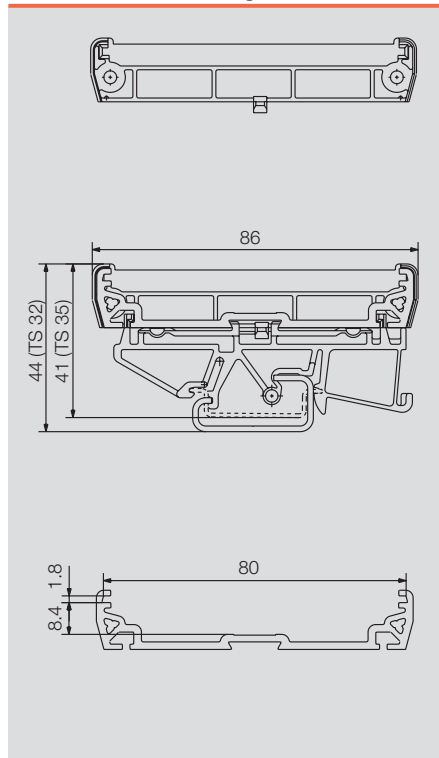
Chassis plus 4 screws available in two versions:

- 2 end plates,
- 2 or more clip-on feet,
- 1 extruded profile

Description

Dimensions of PCB
 Thickness: 1.6 (±0.2) mm, width: 79.8 (+0.2) mm
 Size of RS segment = PCB length - 4.5 mm
 Example:
 PCB length 160 mm
 RS = 155.5 mm

Dimensioned drawing



Technical data

General data	
Shielding	
Contact to the mounting rail	
Max. power loss	
Number of PCB per module	1
Thickness of PCB	1.6 (± 0.2) mm
Ingress protection class	V2
Flammability class UL 94	
Colour of insulating material	orange

Ordering data

Extruded profile	
2000mm	orange
2000mm	grey
1000mm	grey
155mm	orange
Intermediate piece	
5mm	
15mm	
25mm	
30mm	
45mm	
End plate w. locking foot	
Without cover	grey, left version grey, right-hand version
Locking foot	
	orange
	grey
With marking facilities	left version right version
Without marking facilities	left version right version
Central	intermediate foot
End plate for direct mounting	
Without cover	grey, left version grey, right-hand version orange grey
For medium-high cover profile	orange grey
For high cover profile	orange grey
End plate for mounting rail installation	
Without cover	orange grey
For medium-high cover profile	orange grey
For high cover profile	orange grey
Cover profile	medium-high high
Screws	LKSC M2,9x13VZ
Note	
Other lengths on request.	

RS 90



General data	
Shielding	
Contact to the mounting rail	
Max. power loss	
Number of PCB per module	1
Thickness of PCB	1.6 (± 0.2) mm
Ingress protection class	V2
Flammability class UL 94	
Colour of insulating material	orange

Type	Qty.	Order No.
PF RS 90 OR 2000MM	1	4053240000
PF RS 90 GR 2000MM	1	4051810000
RF 180	20	1324460000
RF 180 GR	20	1773400000
AP 90 OR	20	1961880000
AP 90 GR	20	1961890000
LKSC M2,9x13VZ	100	4011200000



Installation housings in profile form

RS 100

Chassis plus 4 screws available in two versions:

Rail-mounted version

- 2 end plates for rail mounting,
- 2 or more clip-on feet,
- 1 extruded profile,
- 1 cover profile (if required).

Direct-mount version

- 2 end plates for direct mounting,
- 1 extruded profile,
- 1 cover profile (if required).

Description

3 heights are available for cover profile and end plates:

Rail mounting without cover:

TS32 = 45 mm, TS35x7.5 = 40.5 mm

Rail mounting with low cover:

TS32 = 89 mm, TS35x7.5 = 84.5 mm

Rail mounting with high cover:

TS32 = 121 mm, TS35x7.5 = 116.5 mm

Direct mounting without/low/high cover:

24 / 69 / 99 mm

Dimensions of PCB

Thickness: 1.6 (±0.2) mm, width: 100 (+0.5) mm

Size of RS segment = PCB length - 4.5 mm

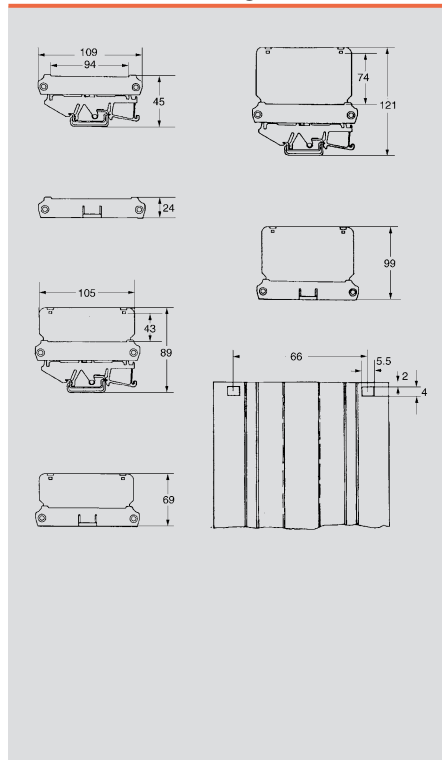
Size of ADP segment = PCB length - 1 mm

Example:

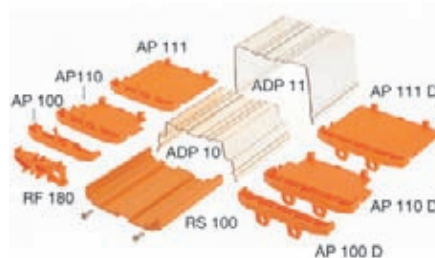
PCB length 160 mm,

RS = 155.5 mm, ADP = 159 mm

Dimensioned drawing



RS 100



Technical data

General data

Shielding
Contact to the mounting rail
Max. power loss
Number of PCB per module
Thickness of PCB
Ingress protection class
Flammability class UL 94
Colour of insulating material

1
1.6 (± 0.2) mm
V2
orange

Note

Ordering data

Extruded profile

2000mm	orange
2000mm	grey
1000mm	grey
155mm	orange

Intermediate piece

5mm
15mm
25mm
30mm
45mm

End plate w. locking foot

Without cover	grey, left version
	grey, right-hand version

Locking foot

	orange
	grey
With marking facilities	left version
	right version
Without marking facilities	left version
	right version
Central	intermediate foot

End plate for direct mounting

Without cover	grey, left version
	grey, right-hand version
	orange
	grey
For medium-high cover profile	orange
	grey
For high cover profile	orange
	grey

End plate for mounting rail installation

Without cover	orange
	grey
For medium-high cover profile	orange
	grey
For high cover profile	orange
	grey

Cover profile	medium-high
	high

Screws	PTSC KB40X14
--------	--------------

Note

Type	Qty.	Order No.
PF RS 100 OR 2000MM A.1	1	4144870000
PF RS 100 GR 2000MM A.1	1	4010870000
PF RS 100 A.1 OR 155.5	25	4148400000

RF 180	20	1324460000
RF 180 GR	20	1773400000

AP 100 D	20	1185160000
----------	----	------------

AP 110 D	10	1185360000
----------	----	------------

AP 111 D	10	1185600000
----------	----	------------

AP 100	20	1185060000
--------	----	------------

AP 110	10	1185260000
--------	----	------------

AP 111	10	1185460000
--------	----	------------

ADP 10	2	4169320000
--------	---	------------

ADP 11	2	4169330000
--------	---	------------

PTSC KB40X14	100	4019420000
--------------	-----	------------

Other lengths on request.

DK 4

Maximum equipment level is 4 busbars plus 4 clamping yoke units. The space available and the number of connections can be doubled by adding an extra frame.

A DK 4 series housing consists of:

- 1 terminal carrier
- 1 top section
- 1-4 busbars
- 1-4 clamping yoke units
- 1 frame (if required)
- 1 end plate (if required)

Technical data

General data	
Dimensions W x L x H (w. TS35 x 7.5)	mm
Dimensions W x L x H (w. TS32)	mm
No. of connections	total
	left / right / top
Access for calibration	
Shielding	
Contact to the mounting rail	
Max. power loss	
Number of PCB per module	
PCB-connection	
Thickness of PCB	
Ingress protection class	
Tightening torque range	
Stripping length	
Pollution severity	
Flammability class UL 94	
Colour of insulating material	
Clampable conductors (H05V/H07V)	
Solid	mm ²
Flexible	mm ²
Max. conductor AWG	
Plug gauge to 60947-1	

Information**Ordering data**

Individual parts	
For mounting rail TS35	with connection element
	for connection element
	for mounting rail contact, for connection element
For mounting rail TS32	with connection element
Frame for TS35	
Frame for TS35	for connection element
Frame for TS32	
Top part	open
	closed
Current bars (w. tension clamp)	short version
	long version
Current bars	horizontal
	vertical
Clamp. yoke unit	clamp. yoke + screw
Screw	
Clamping yoke	
Mounting rail contact	
Housing cover	
Information	

Accessories

End plate	
Information	

DK 4**Screw connection**

Dimensions W / 65 / 56	
Dimensions W x L x H (w. TS32)	mm
No. of connections	total
	left / right / top
Access for calibration	
Shielding	not available
Contact to the mounting rail	
Max. power loss	
Number of PCB per module	1
PCB-connection	
Thickness of PCB	
Ingress protection class	IP 20
Tightening torque range	0.4...0.6 Nm
Stripping length	7 mm
Pollution severity	3
Flammability class UL 94	V2
Colour of insulating material	beige
Screw connection	
	Tension clamp connection
0.2...4	
0.2...4	
AWG 26...AWG 12	

Type	Qty.	Order No.
DK4 BE	50	1983650000
KLTR DKT4/6/35/4 ZB	1	3017730000
KLTR DKT4/6/35/ZA RA	1	3015070000
KOPL DKT 4	18	2158440000
KOPL DKT4/5 ESD	18	2198360000
SMSE GSE5 WA	3000	2047230000
SMSE GSE5 SE	1	2047250000
KLSC M2.5X7 SAK2.5/SO	1	2016770000
ZB DLI2.5	1	2232500000
Information		

Type	Qty.	Order No.
AP DKT4 PA	20	0687560000
Information		

Housings in terminal form

DK 5

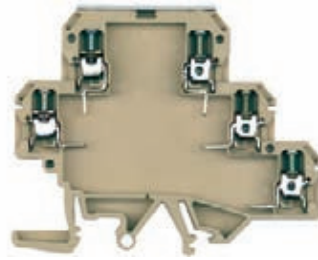
The transparent snap-on top plate is used for labelling.

A DK5 housing consists of:

- 1 modular terminal with current bars,
- 1 top plate,
- 1 end plate (if required).

DK 5

Screw connection



Technical data

General data			
Dimensions W x L x H (w. TS35 x 7.5)	mm	6 / 77 / 62	
Dimensions W x L x H (w. TS32)	mm		
No. of connections	total	5	
	left / right / top	2 / 3	
Access for calibration			
Shielding		not available	
Contact to the mounting rail			
Max. power loss			
Number of PCB per module		1	
PCB-connection			
Thickness of PCB			
Ingress protection class		IP 20	
Tightening torque range		0.4...0.5 Nm	
Stripping length		9 mm	
Pollution severity		3	
Flammability class UL 94		V2	
Colour of insulating material		beige	
Clampable conductors (H05V/H07V)		Screw connection	Tension clamp connection
Solid	mm ²	0.2...4	
Flexible	mm ²	0.2...4	
Max. conductor AWG		AWG 20...AWG 12	
Plug gauge to 60947-1		A3	

Information

For orientation of current bar see figure

Ordering data

Individual parts		Type	Qty.	Order No.
For mounting rail TS35	with connection element	GH DK5 PA BE A1	50	4036160000
	for connection element			
	for mounting rail contact, for connection element			
For mounting rail TS32	with connection element			
Frame for TS35				
Frame for TS35	for connection element			
Frame for TS32				
Top part	open	KOPL DK5 PA	1	4036790000
	closed			
Current bars (w. tension clamp)	short version			
	long version			
Current bars	horizontal			
	vertical			
Clamp. yoke unit	clamp. yoke + screw			
Screw				
Clamping yoke				
Mounting rail contact				
Housing cover				
Information				

Accessories

End plate		Type	Qty.	Order No.
		AP DK5 PA BE	20	4036780000
Information				

Housings in terminal form

MCZ 1.5

The transparent hinged top plate is used for labelling and calibration. Maximum equipment level requires 2 short and 3 long current bars. The space available and the number of connections can be doubled using the frame. CAD drawings that ease the production of layouts and equipping of boards (details of blocked area, max. component heights, pads, etc.), are available on request. The MCZ housing kit consists of:

- 1 terminal holder,
- 1 top plate,
- 1-5 current bars with tension clamp,
- 1 end plate (if required).

Technical data

General data	
Dimensions W x L x H (w. TS35 x 7.5)	mm
Dimensions W x L x H (w. TS32)	mm
No. of connections	total left / right / top
Access for calibration	
Shielding	
Contact to the mounting rail	
Max. power loss	
Number of PCB per module	
PCB-connection	
Thickness of PCB	
Ingress protection class	
Tightening torque range	
Stripping length	
Pollution severity	
Flammability class UL 94	
Colour of insulating material	
Clampable conductors (H05V/H07V)	
Solid	mm ²
Flexible	mm ²
Max. conductor AWG	
Plug gauge to 60947-1	

Information

Ordering data

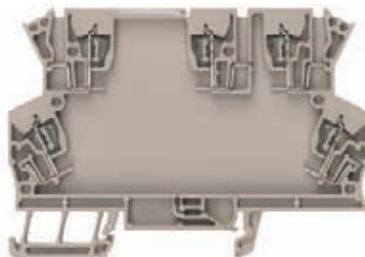
Individual parts	
For mounting rail TS35	with connection element for connection element for mounting rail contact, for connection element
For mounting rail TS32	with connection element
Frame for TS35	
Frame for TS35	for connection element
Frame for TS32	
Top part	open closed
Current bars (w. tension clamp)	short version long version
Current bars	horizontal vertical
Clamp. yoke unit	clamp. yoke + screw
Screw	
Clamping yoke	
Mounting rail contact	
Housing cover	
Information	

Accessories

End plate	
Information	

MCZ 1.5

tension spring connection



6 / 91.3 / 63.5	
5	
1 / 3 / 1	
Movable top plate	
not available	
Earthing-contact	
1	
soldered connection, directly	
1.0 (+ 0.2) mm	
IP 20	
6 mm	
3	
V0	
beige	
Screw connection	Tension clamp connection
	0.2...1.5
	0.2...1.5
	AWG 26...AWG 16

Type	Qty.	Order No.
MCZ 5	10	8857560000
GH MCZ1.5	1	2224220000
GH MCZUE1.5/UE	1	2312290000
RA MCZ1.5	25	2224240000
KOPL MCZ1.5	18	2224040000
SMSE KU FE MCZ 1.5	1	2224390000
SMSE LN FE MCZ 1.5	1	2224380000
SMSE FE MCZ 1.5/PE	100	1003280000
Information		

Type	Qty.	Order No.
AP MCZ1.5	50	8389030000
Information		
Full housing available as set on request.		

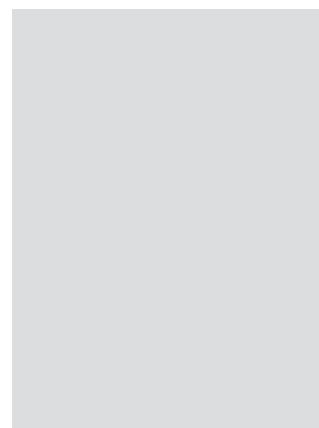
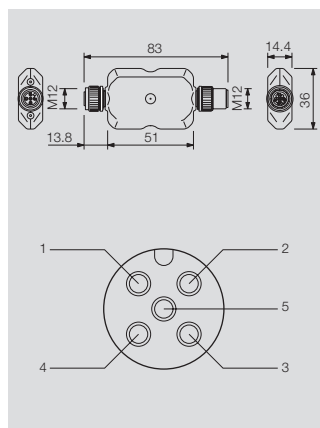
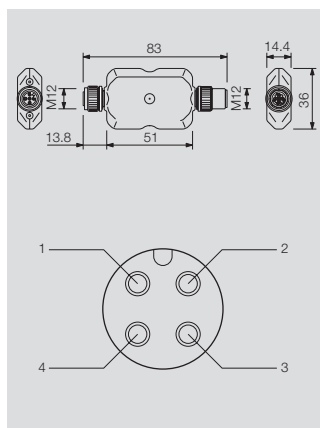
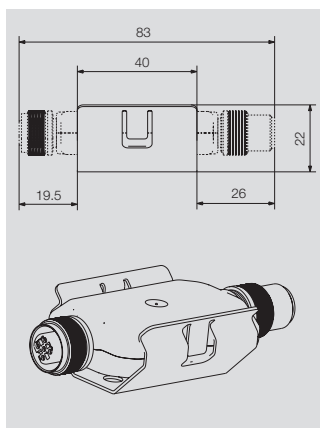
JACKPAC®

The IP68 small housings are ideally suited for applications in true industrial environments. Use of suitable plugs and sockets (M12) allows adaptation to typical plug-in connectors. A fixed-cable version is also available. Encapsulation enables the housing to meet the IP68 standard. This small housing is, particularly when modernising systems or for functional expansion, an efficient and cost-efficient solution.

JP M12/4-pole

JP M12/5-pole

JP with fixed cable



Technical data

General data	
Dimensions W x L x H	mm
Connection system	
Number of connections	total left / right / top min. / max.
Cable diameter	
Max. power loss	
Number of PCBs per module	
PCB contact	
Assembly of the PCB	
Thickness of the PCB	
Class of protection	
UL 94 flammability rating	
Colour	
Material	

Dimensions W x L x H (55 for FC)	36 x 83 x 14.4
Connection system	M12, CuZn, nickel-plated, A-coded, 4-pole plug/socket
Number of connections	2
Number of connections	1 plug, 4-pole / 1 socket, 4-pole
Max. power loss	0.2W/40°C
Number of PCBs per module	1
PCB contact	Soldered connection, direct
Assembly of the PCB	On both sides
Thickness of the PCB	1.0 (+/- 0.2) mm
Class of protection	IP68 (encapsulated)
UL 94 flammability rating	V0
Colour	grey
Material	PBT

Dimensions W x L x H	36 x 83 x 14.4
Connection system	M12, CuZn, nickel-plated, A-coded, 5-pole plug/socket
Number of connections	2
Number of connections	1 plug, 5-pole / 1 socket, 5-pole
Max. power loss	0.2W/40°C
Number of PCBs per module	1
PCB contact	Soldered connection, direct
Assembly of the PCB	On both sides
Thickness of the PCB	1.0 (+/- 0.2) mm
Class of protection	IP68 (encapsulated)
UL 94 flammability rating	V0
Colour	grey
Material	PBT

Dimensions W x L x H	36 x 55 x 14.4
Connection system	Fixed cable on both sides
Number of connections	Input/output, with cable grommets on both sides
Cable diameter	6.0/7.5 mm
Max. power loss	0.2W/40°C
Number of PCBs per module	1
PCB contact	Soldered connection, direct
Assembly of the PCB	On both sides
Thickness of the PCB	1.0 (+/- 0.2) mm
Class of protection	IP68 (encapsulated)
UL 94 flammability rating	V0
Colour	grey
Material	PBT

Note

Ordering data

Individual parts	
Housing parts with M12 plug and socket	
Housing parts with M12 plug and socket	

Type	Qty.	Order No.
JP SET 4POL.	100	8794090000
JP 4POL. SAMPLE	1	1915220000

Type	Qty.	Order No.
JP SET 5POL.	100	8794080000
JP 5POL. SAMPLE	1	1918520000

Type	Qty.	Order No.
JP SET FC	100	1933680000
JP FC SAMPLE	1	1933690000

Note

Accessories

Sensor cables	
4-pole, length 0.3 m	
4-pole, length 0.6 m	
4-pole, length 1.5 m	
5-pole, length 0.3 m	
5-pole, length 0.6 m	
5-pole, length 1.5 m	

Type	Qty.	Order No.
SAIL-M12G-M12G-4-0.3U	1	9457150000
SAIL-M12G-M12G-4-0.6U	1	9457160000
SAIL-M12G-M12G-4-1.5U	1	9457170000
SAIL-M12G-M12G-5-0.3U	1	9457340030
SAIL-M12G-M12G-5-0.6U	1	9457340060
SAIL-M12G-M12G-5-1.5U	1	9457340150

Type	Qty.	Order No.
SAIL-M12G-M12G-4-0.3U	1	9457150000
SAIL-M12G-M12G-4-0.6U	1	9457160000
SAIL-M12G-M12G-4-1.5U	1	9457170000
SAIL-M12G-M12G-5-0.3U	1	9457340030
SAIL-M12G-M12G-5-0.6U	1	9457340060
SAIL-M12G-M12G-5-1.5U	1	9457340150

Type	Qty.	Order No.

Other accessories	
Twin plugs	5-pole
Retaining clip	Stainless steel

SAI-Y-5S PARA M12/M12	1	1783430000
JP CLIP M	1	8778490000

SAI-Y-5S PARA M12/M12	1	1783430000
JP CLIP M	1	8778490000

JP CLIP M	1	8778490000
-----------	---	------------

Note