

Active components

Relays output modules allow transmission of electric signals between PLC controller and the actuator level. A signal isolator guarantees transmission free of reference potential and decoupling of the electric signals.

Relays output modules for controlling actuators free from reference potential from a PLC.

- RS F40 16 RS for output of 16 signals (with expansion module max. 32 signals),
- RS F40 LMZF 32 RS for output of 32 signals,
- RS F10 8RS for output of 8 signals.

The advantages of active interface components:

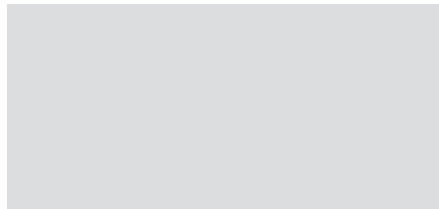
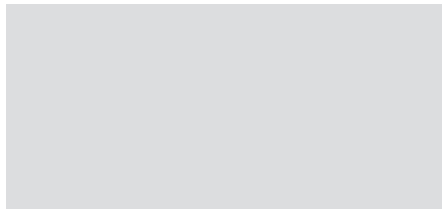
- low-disturbance and noise-free signal transmission
- power gain
- compact design
- cost- and time-saving wiring with pre-assembled lines
- screw or tension spring connections as required
- inexpensive adaptation via pre-assembled control lines to the PLC
- electrical isolation of input and output circuits
- expansion board for upgrading a 16-way module to a 32-way module
- plug-in relay
- integral switching status indicator
- labelling panel for group designation
- can be clipped to TS 32/35

Relays

- Screw connection system
- Base and expansion modules each equipped with 16 relays
- Plug-in relays with changeover contact
- Expansion module connected via 20-pole ribbon cable
- Electrical isolation of input and output circuits
- LED status indicator
- For mounting on TS 32/35

RS F40 16RS OUT

Output module



Technical data

Connection data

Number of signals
 Connection on process side
 Type of connection
 Connection system, supply voltage/other connections
 Stripping length

16 / 1x2 byte
 Screw connection
 40-pole pin connector IEC 603/1
 Screw connection/ IEC 603-1 20-pole
 7.00 mm

Input

Rated voltage
 DC Response/drop-out Volt
 Rated current DC
 Pick-up/drop-out current, DC coil
 Power rating
 Status indicator LED / current consumption
 Response time / Drop-out time
 max. switching frequency at rated load

24 V DC ±10%
 > 16 V / < 4 V
 30 mA
 23 mA / 2 mA
 0.75 W
 yellow /3.00 mA
 < 8 ms/ < 7 ms
 10.0 Hz

Output

max. switching voltage AC/max. DC
 Continuous current/Making current/min. switching current
 max. switching power
 Type of relay/Relay mounting
 Type of contact/Contact base material

250 V/250 V
 6 A/8 A /100 mA
 2000 VA / 200 W
 RCL314024 /pluggable
 CO contact /AgNi 90/10

Insulation coordination (EN 50178)

Ambient temperature (operational)
 Storage temperature
 Rated voltage
 Dielectric strength, Input/Output
 Surge category
 Pollution severity
 DIN Rail compatibility
 Standards/Approvals

0 °C...+55 °C
 -40 °C...+70 °C
 300 V
 4 kV_{eff}
 II
 2
 TS 32, TS 35
 EN 50178 /CE

Dimensions

Clamping range (rating- / min. / max.) mm²
 Length x width x height mm

2,5 / 0,5 / 4
 87 x 350 x 76

Note

Ordering data

Basic module
 Expansion module

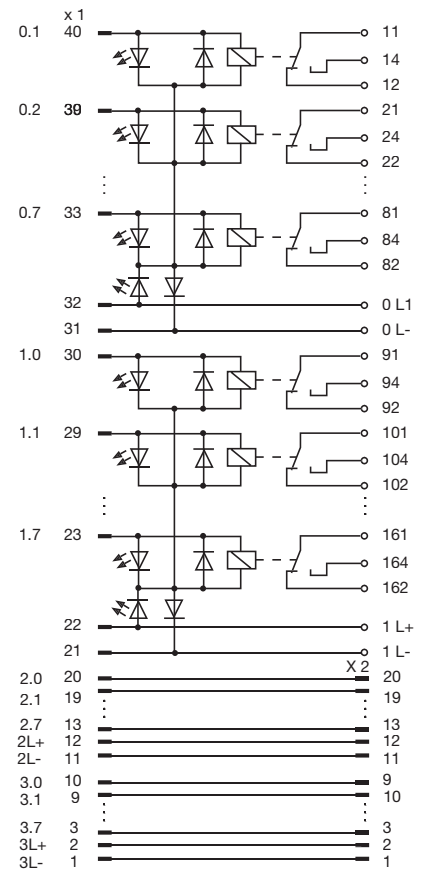
Type	Qty.	Order No.
RS F40 16RS OUT 24VDC	1	8224181001
RS F40 16RS OUT 24VDC E	1	8224191001

Note

Accessories

Note

Spare relay RCL314024 8693260000



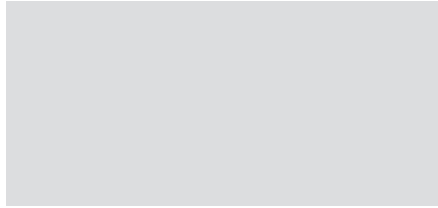
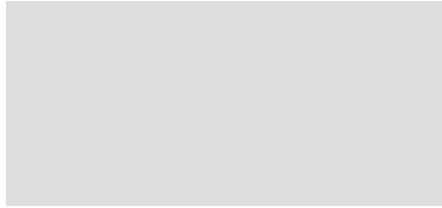
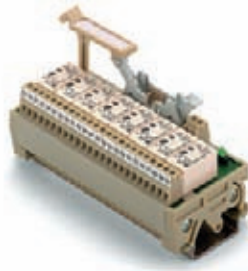
PLC input/output module active

Relays

- Screw connection system
- Compact design
- Electrical isolation of input and output circuits
- Relay soldered with changeover contact
- LED status indicator
- Clips to TS 35

RS F10 8R OUT 24VDC

Output module



Technical data

Connection data

Type	IEC603-1 10-pole/ screw connection
Number of signals	8 / 1x1 byte
Connection on process side	Screw connection
Type of connection	10-pole pin connector IEC 603/1
Connection system, supply voltage/other connections	Screw connection LM 3.5
Stripping length	5.00 mm

Input

Rated voltage	24 V DC $\pm 10\%$
DC Response/drop-out Volt	$> 18 \text{ V} / < 4 \text{ V}$
Rated current DC	20 mA
Pick-up/drop-out current, DC coil	20 mA / 2mA
Power rating	0.5 W
Status indicator LED / current consumption	yellow /5.00 mA
Response time / Drop-out time	$< 8 \text{ ms} / < 4 \text{ ms}$

Output

max. switching voltage AC/max. DC	250 V/120 V
Continuous current/Making current/min. switching current	3 A/5 A /100 mA
max. switching power	1250 VA / 80 W
Type of relay/Relay mounting	DOLD OW5691 /soldered
Type of contact/Contact base material	CO contact /AgNi

Insulation coordination (EN 50178)

Ambient temperature (operational)	0 °C...+55 °C
Storage temperature	-40 °C...+70 °C
Rated voltage	250 V
Dielectric strength, Input/Output	4 kV _{eff}
Surge category	II
Pollution severity	2
DIN Rail compatibility	TS 32, TS 35
Standards/Approvals	EN 50178 /CE

Dimensions

Clamping range (rating- / min. / max.)	mm ²	1.5 / 0.5 / 1.5
Length x width x height	mm	45 x 93 x 51

Note

Ordering data

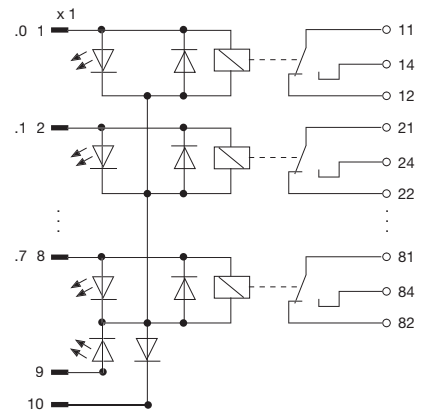
IEC603-1 10-pole/ screw connection

Type	Qty.	Order No.
RS F10 8R OUT 24VDC	1	8329800000

Note

Accessories

Note

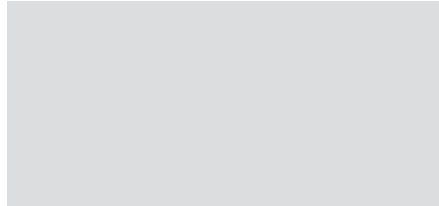
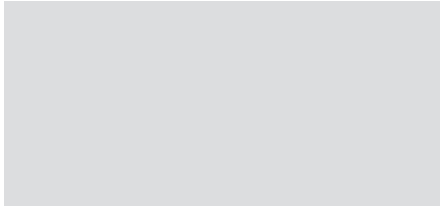


Relays

- Tension clamp connection system
- Compact design
- Electrical isolation of input and output circuits
- 8 plug-in relays
- NO contact design
- LED status indicator
- Additional labelling panel for group designation
- Clips to TS 32/35

RS F10 8RS OUT LMZF

Output module



Technical data

Connection data	
Type	IEC603-1 10-pole/ tension clamp connection
Number of signals	8 / 1x1 byte
Connection on process side	PCB terminal LMZF
Type of connection	10-pole pin connector IEC 603/1
Connection system, supply voltage/other connections	Tension clamp connection
Stripping length	7.00 mm
Input	
Rated voltage	24 V DC ±10%
DC Response/drop-out Volt	> 19 V / < 7 V
Rated current DC	30 mA
Pick-up/drop-out current, DC coil	20 mA / 2mA
Power rating	0.5 W
Status indicator LED / current consumption	yellow /3.00 mA
Response time / Drop-out time	< 5 ms / < 15 ms
Output	
max. switching voltage AC/max. DC	250 V / 125 V
Continuous current/Making current/min. switching current	3 A / 5 A / 10 mA
max. switching power	1250 VA / 600 W
Type of relay/Relay mounting	FUJITSU NYP-24WK /pluggable
Type of contact/Contact base material	NO contact /AgNi 5µm Au
Insulation coordination (EN 50178)	
Ambient temperature (operational)	0 °C...+55 °C
Storage temperature	-40 °C...+70 °C
Rated voltage	300 V
Dielectric strength, Input/Output	2.5 kV
Surge category	II
Pollution severity	2
DIN Rail compatibility	TS 32, TS 35
Standards/Approvals	EN 50178 /CE

Dimensions	
Clamping range (rating- / min. / max.)	mm² 1.5 / 0.5 / 2.5
Length x width x height	mm 87 x 78 x 73

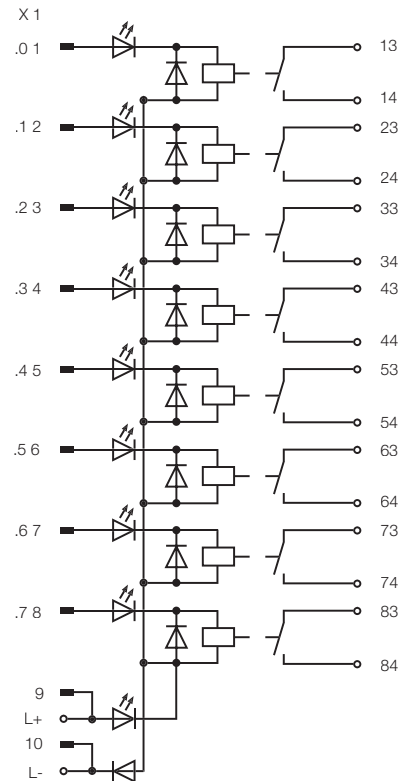
Note	

Ordering data

Type	Qty.	Order No.	
IEC603-1 10-pole/ tension clamp connection	RS F10 8RS OUT LMZF	1	8430990000
Note			

Accessories

Note
Spare relay NYP-24 WK 4052510000



PLC input/output module active

Relays

- Tension clamp connection system
- Compact design
- Electrical isolation of input and output circuits
- 32 plug-in relays
- NO contact design
- LED status indicator
- Additional labelling panel for group designation
- Clips to TS 32/35

RS F40 32RS OUT LMZF

Output module



Technical data

Connection data

Type	IEC603-1 40-pole/ tension clamp connection
Number of signals	32 / 1x4 byte
Connection on process side	PCB terminal LMZF
Type of connection	40-pole pin connector IEC 603/1
Connection system, supply voltage/other connections	Tension clamp connection
Stripping length	7.00 mm

Input

Rated voltage	24 V DC $\pm 10\%$
DC Response/drop-out Volt	> 19 V / < 7 V
Rated current DC	30 mA
Pick-up/drop-out current, DC coil	20 mA / 2mA
Power rating	0.5 W
Status indicator LED / current consumption	yellow /3.00 mA
Response time / Drop-out time	< 5 ms / < 15 ms

Output

max. switching voltage AC/max. DC	250 V / 125 V
Continuous current/Making current/min. switching current	3 A / 5 A / 10 mA
max. switching power	1250 VA / 600 W
Type of relay/Relay mounting	FUJITSU NYP-24WK /pluggable
Type of contact/Contact base material	NO contact /AgNi 5 μ m Au

Insulation coordination (EN 50178)

Ambient temperature (operational)	0 °C...+55 °C
Storage temperature	-40 °C...+70 °C
Rated voltage	300 V
Dielectric strength, Input/Output	2.5 kV
Surge category	II
Pollution severity	2
DIN Rail compatibility	TS 32, TS 35
Standards/Approvals	EN 50178 /CE

Dimensions

Clamping range (rating- / min. / max.)	mm ²	1.5 / 0.5 / 2.5
Length x width x height	mm	87 x 263 x 73

Note

Ordering data

IEC603-1 40-pole/ tension clamp connection

Type	Qty.	Order No.
RS F40 32RS OUT LMZF	1	8431000000

Note

Accessories

Note

Spare relay NYP-24 WK 4052510000

